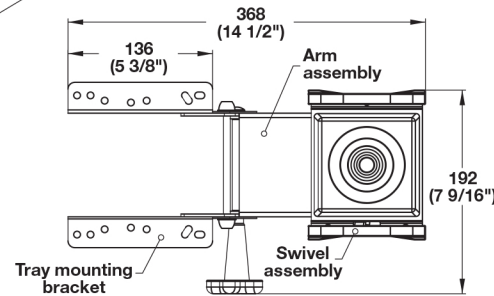
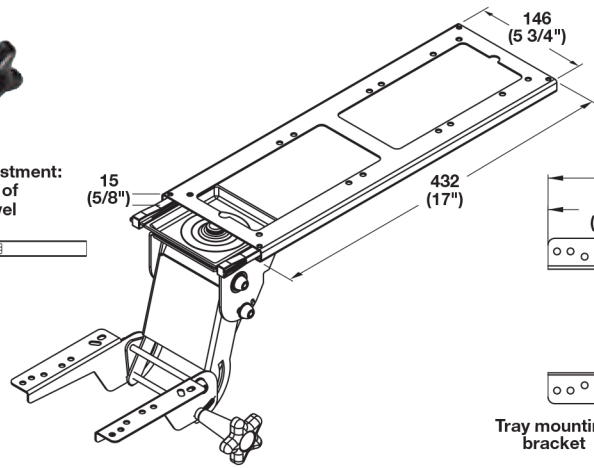
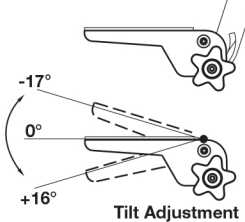
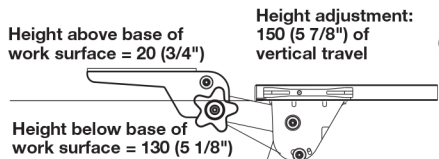


→ **Encore Arm**



- > Entry level arm that provides most of the features at an economical price
- > For occasional users, home office, education, learning and training centers
- > Meets or exceeds ANSI/BIFMA requirements
- > Made in North America, TAA Compliant
- > Low profile design provides maximum leg room
- > Star wheel adjustment knob provides simultaneous height and tilt adjustment
- > 360° swivel allows user to move keyboard freely from side to side
- > Track length: 432 mm (17")
- > Material: Steel, epoxy-coated; Components: Plastic



Finish	Item No.
black	632.68.380

Note
 Arm does not include keyboard tray, please order separately, see below options.