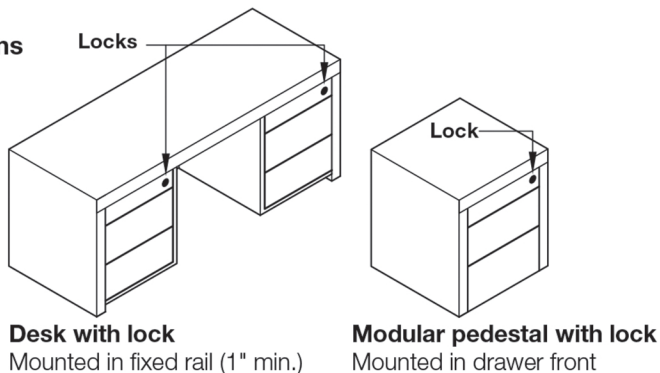


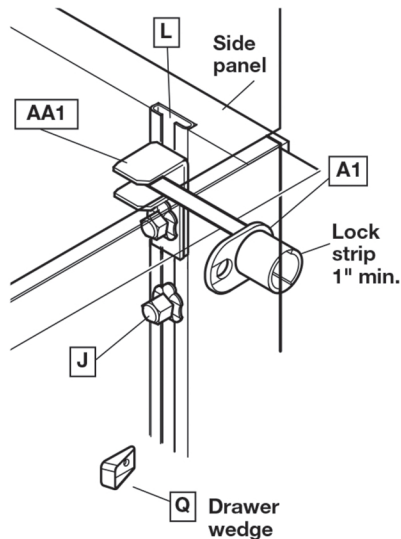
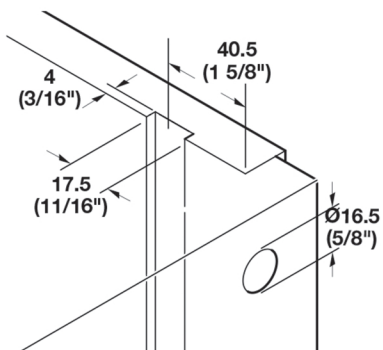
Timberline Modular Removable Core Locking System

Typical applications

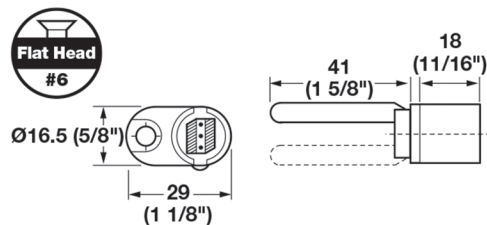


- > Minimizes interference with hanging files
- > Permits locking from the front in a fixed position in a lock strip or drawer front
- > Installs left or right

Drilling & routing diagram



→ **A1** Half Lock Body with lifting pin



- > Rotation: 180°
- > Lift: 12 mm (1/2")
- > Material: Zinc die-cast, unfinished

Timberline No.	Item No.
CB-101	234.85.109