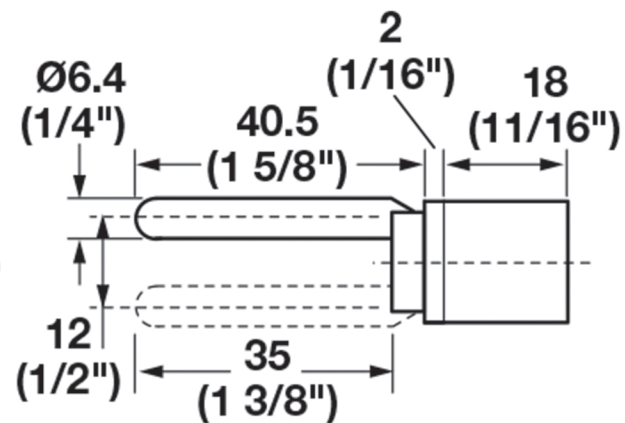
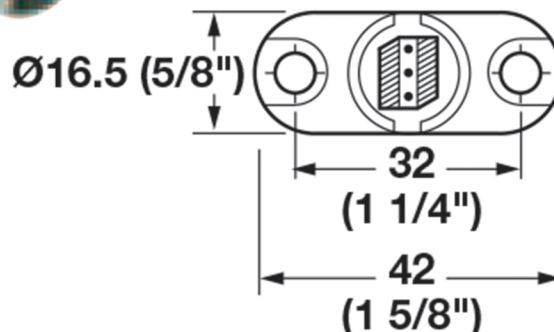


→ **A1** Lock Body with Lifting Pin



- > Rotation: 180°
- > Lift: 12 mm (1/2")
- > Material: Zinc die-cast, unfinished

Timberline No.

CB-100

Item No.

234.85.001