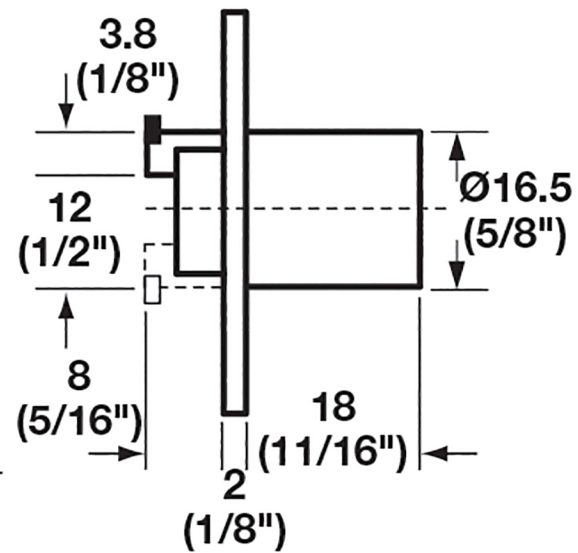
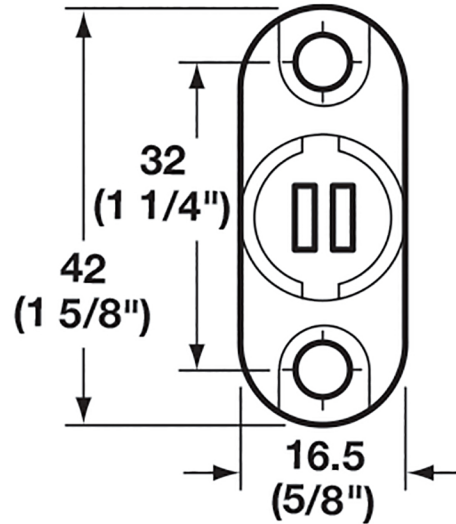
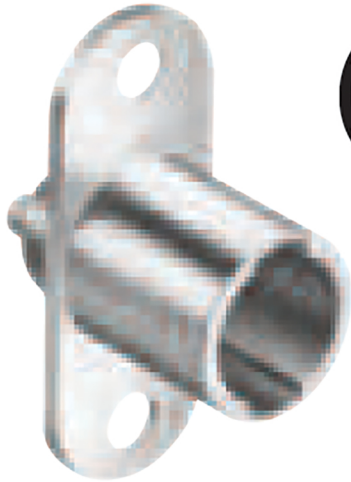


→ **B** Side Mount Lock Body



- > With locking lug
- > Rotation: 180°
- > Lift: 12 mm (1/2")
- > Material: Zinc die-cast, unfinished

Timberline No.

CB-150

Item No.

234.86.017