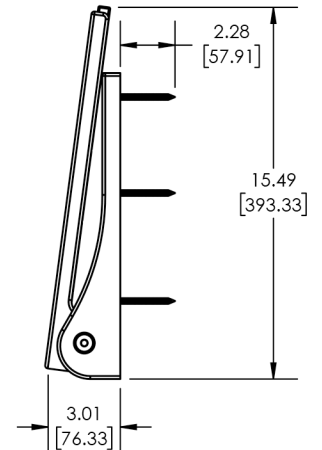
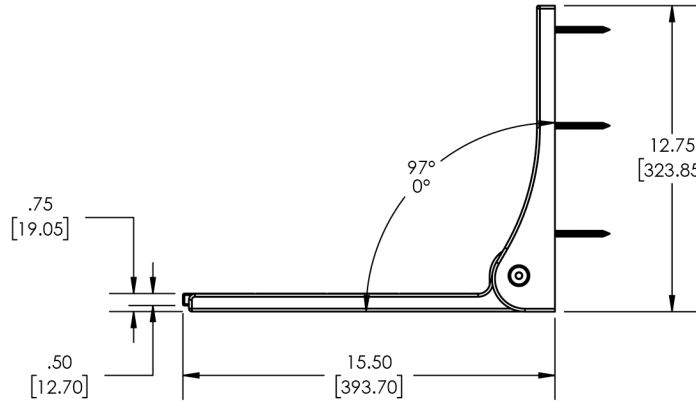
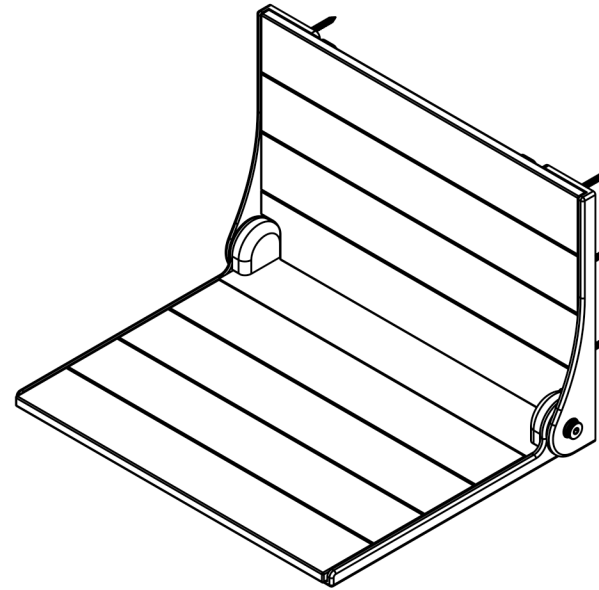
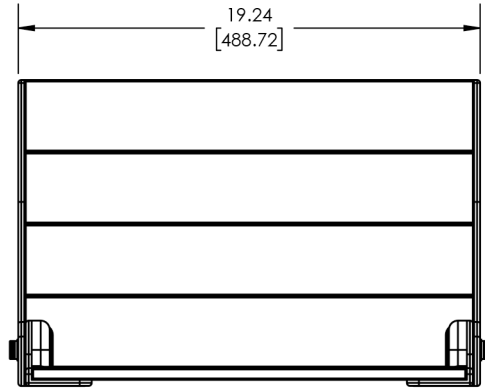
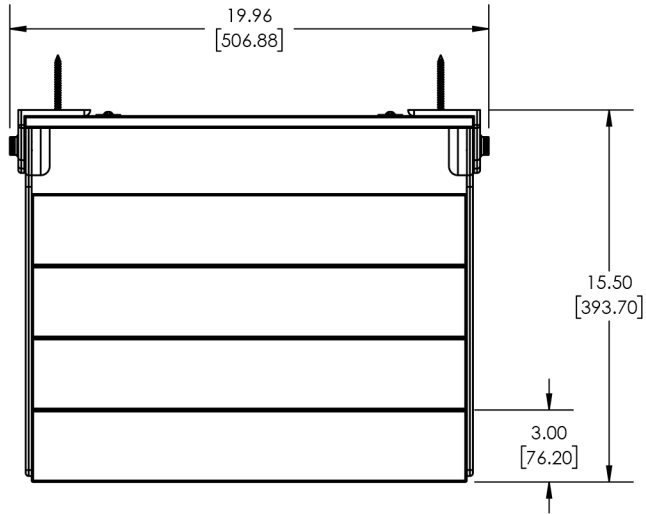


NOTES:

1. DIMENSIONS IN BRACKETS [] ARE MILLIMETERS, FOR REFERENCE ONLY.
2. GRAIN DIRECTION PER ASME Y14.36M-1996 FOR SS SATIN FINISHES ONLY.



PROPRIETARY AND CONFIDENTIAL
 THIS DRAWING AND THE INFORMATION CONTAINED HEREIN IS PROPERTY TO SEACHROME COR. AND SHALL NOT BE REPRODUCED, COPIED OR DISCLOSED IN WHOLE, OR PART, OR USED OF MANUFACTURING OR FOR ANY OTHER PURPOSE WITHOUT THE WRITTEN PERMISSION OF SEACHROME CORPORATION.

SEACHROME CORPORATION		1906 EAST DOMINGUEZ LONG BEACH, CA 90810 (310) 427-8010	
TITLE: Silhouette SlimLine Tub/Shower Seat			
DWG. NO.	SHAFSL-185155	REV	A
SIZE	A	SCALE:	1:12 SHEET 2 OF 2

MODEL #
 APFSHAF185155TW-SL (teak wood, silver frame)
 APFSHAF185155TW-MB (teak wood, black frame)

TITLE: **SILHOUETTE SHOWER SEAT, TEAK
WOOD**

DRAWN	E.BARBER	09/20/21	DWG. NO.	SHAF-185155-TW	REV	A
ENG APPR.	J. AMOZOC	09/20/21	SIZE	A	DO NOT SCALE DRAWING	SCALE: 1:8 SHEET 1