

SEACHROME

Description:

660L-PS

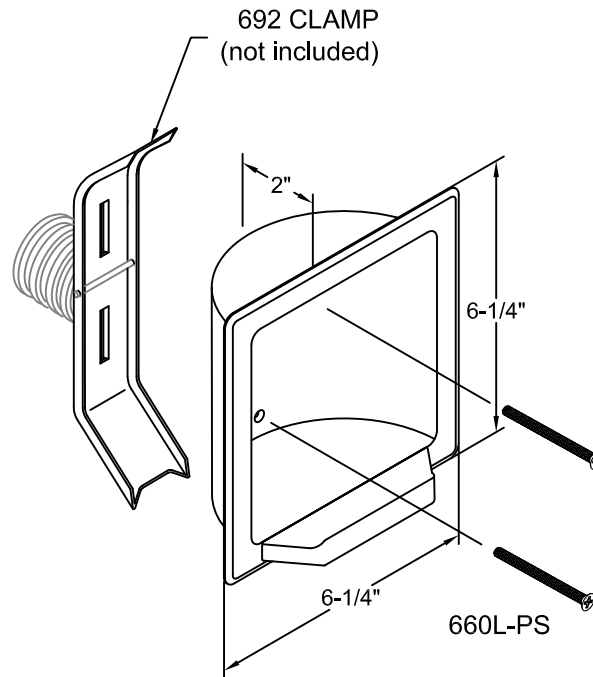
Recessed Soap and Tumbler Holder

Customer:

Seachrome
Standard

Customer Part #

05-02-2013



Specifications:

All Accessories are fabricated of Type 304 Stainless Steel, available in Polished Stainless Finish. Plated Steel Mounting Clamp attaches to back of unit with two stainless sheet metal screws for installation in stud wall construction and countertop aprons.

SHELL & FLANGE: 18-8 Type 304 22ga (0.8mm) stainless steel, drawn, one piece, seamless construction with two countersunk mounting holes.

SOAP TRAY: Welded 18-8 Type 304 22ga (.08mm). Includes two (2) #8-32 x 2-7/16" S.S. screws.

MOUNTING CLAMP: 20ga. concealed plated mounting clamp.

FINISH: Polished Stainless Finish

Installation:

1. The wall hole size should be 5-1/4" square, large enough to insert the rounded portion of the soap dish.
2. Install the spring onto the mounting bracket thru the two holes located in the center of the bracket.
3. Place the mounting bracket in the wall opening applying pressure to the spring so the bracket is resting firmly against the wall.
4. Position the mounting clamp and fixture level and tighten screws to insure snug fit.

