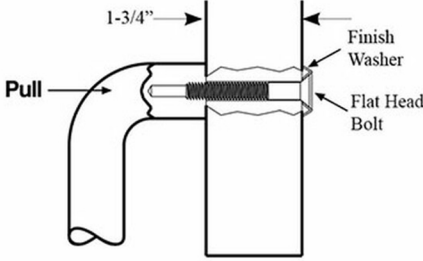


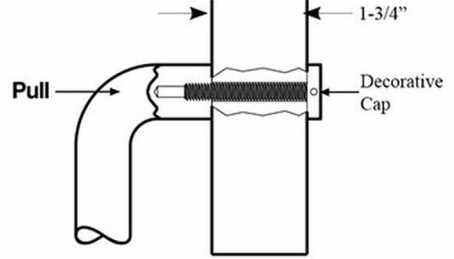
9001630 Mounting Hardware

Thru Bolt for Metal or Wood Door



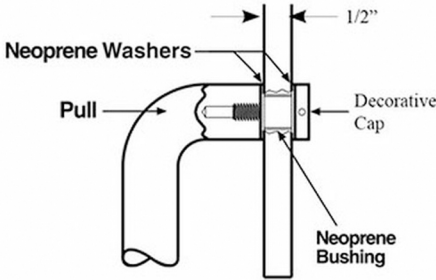
TYPE	BOLT SIZE	DRILL SIZE
1	1/4 - 20	9/32"
1HD	5/16 - 18	11/32"

Thru Bolt for Metal or Wood Door



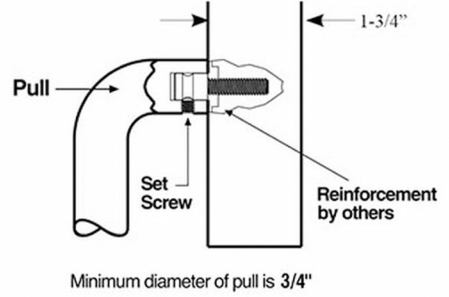
TYPE	BOLT SIZE	DRILL SIZE
12	1/4 - 20	9/32"
12HD	5/16 - 18	11/32"

Thru Bolt for Glass Door



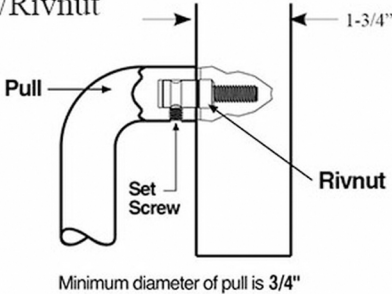
TYPE	BOLT SIZE	DRILL SIZE GLASS
15	1/4 - 20	5/8"
15HD	5/16 - 18	5/8"

Surface Concealed for Metal Door



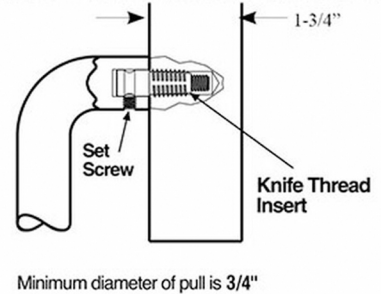
TYPE	BOLT SIZE	THREAD SIZE
6	1/4 - 20	1/4 - 20 TAP
6HD	5/16 - 18	5/16 - 18 TAP

Surface Concealed for Metal Door w/Rivnut



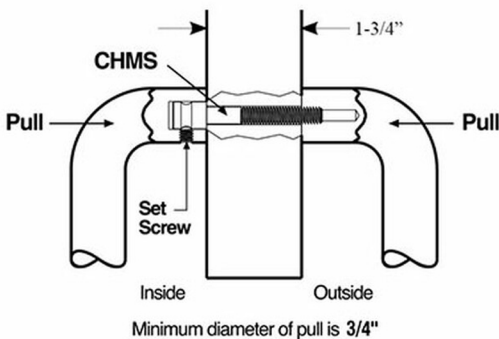
TYPE	BOLT SIZE	DRILL SIZE METAL
6R	1/4 - 20	3/8" X 1-1/4" DP
6RHD	5/16 - 18	1/2" X 1-1/4" DP

Surface Concealed for Wood Door



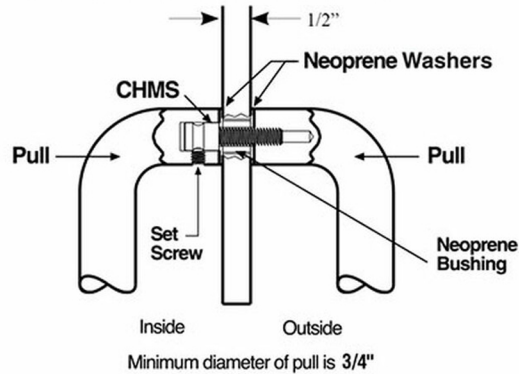
TYPE	BOLT SIZE	DRILL SIZE WOOD
8	1/4 - 20	1-1/4" DP
8HD	5/16 - 18	1-1/4" DP

Back-to-Back for Wood or Metal Doors



TYPE	BOLT SIZE	DRILL SIZE
5	1/4 - 20	9/32"
5HD	5/16 - 18	11/32"

Back-to-Back for Glass Doors



TYPE	BOLT SIZE	DRILL SIZE GLASS
13	1/4 - 20	5/8"
13HD	5/16 - 18	5/8"