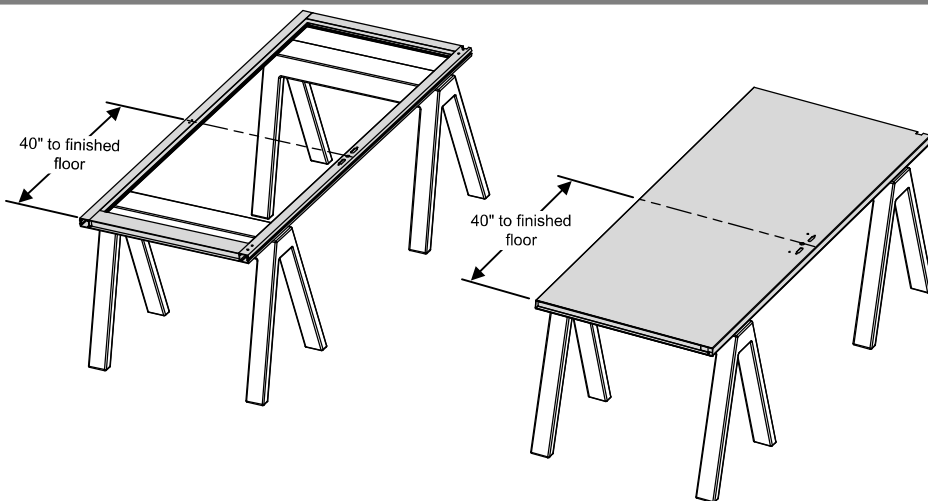


CVR EXIT INSTALLATION INSTRUCTION

6300/6400C & CF DEVICES



Phone: 833-2-PDQTEC | www.pdqlocks.com



1. PREPARE DOOR

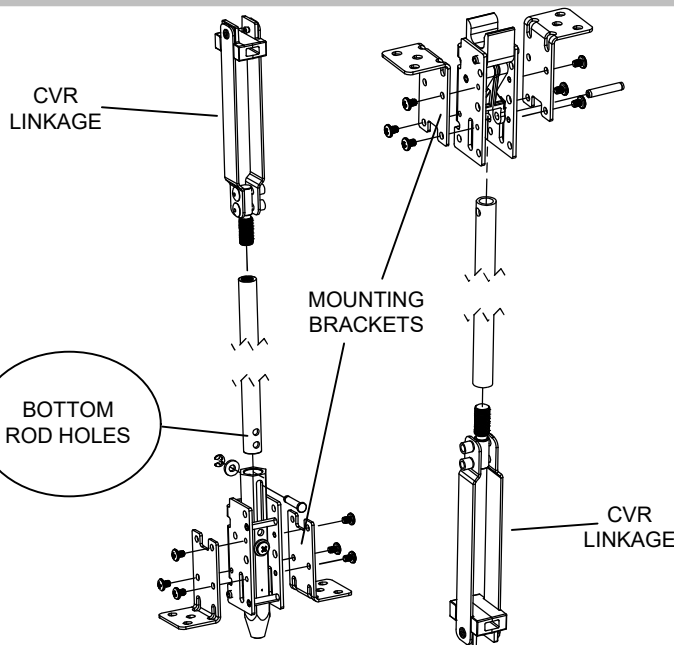
- Prepare door according to template.
- Refer to trim template if installing trim.

2. ASSEMBLE RODS & LATCHES

- Thread CVR linkage into each rod to approximate middle of threads

Steel/Wood Door – Attach mounting brackets as shown
 Aluminum Door – Continue to next step

THRESHOLD NOTE:
 When using 1/2" threshold, move bottom rod attachment pin to upper hole in bottom rod.



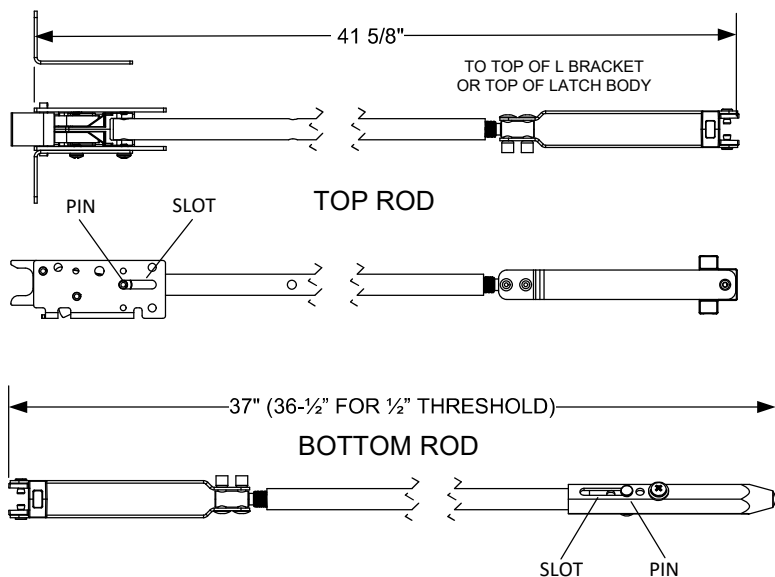
3. ADJUST RODS

When measuring, be sure length is in the collapsed pin position as shown.

TOP ROD LENGTH: Measure from top of door to device centerline. Subtract 2 1/4".

Typical 7' Door: 41 5/8"
 (43 7/8" - 2 1/4" = 41 5/8")

BOTTOM ROD LENGTH: 37" if device is installed 40" above the finished floor.



CVR EXIT INSTALLATION INSTRUCTION

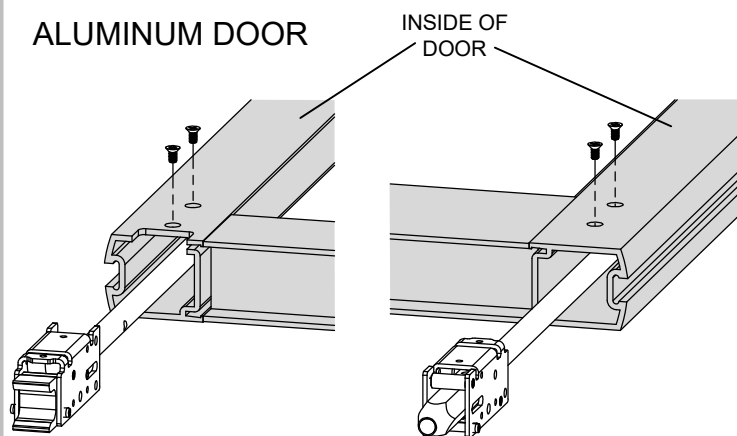
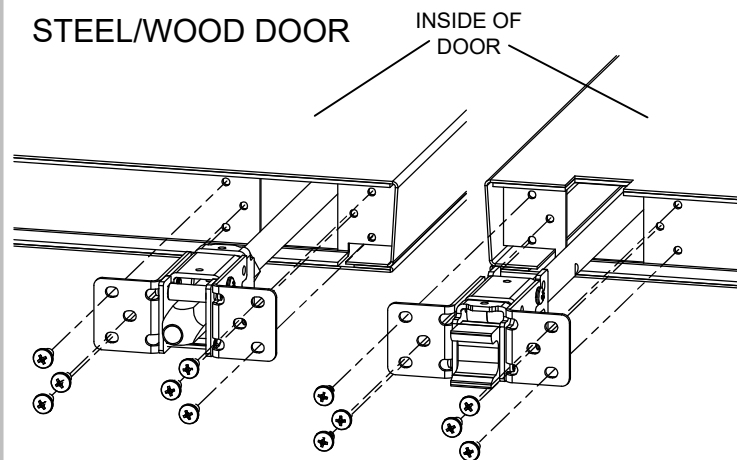
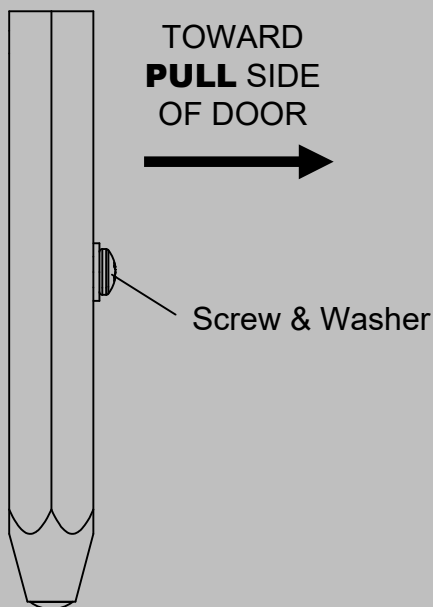
6300/6400C & CF DEVICES



4. INSTALL LATCHES IN DOOR

- Slide latch/rod assemblies into the door.
- Slide bottom latch into door installed in housing.
- Fasten with #8-32 screws.

IMPORTANT NOTE



Maximum cut:				
	Panic	Fire	Alarm	MLR
36" Device	6"	8"	2"	3"
48" Device	12"	14"	8"	9"

5. SIZE DEVICE

- Standard lengths are for 36" or 48" door. Device must be cut for other lengths.
- Mark length with tape – length equals device size minus desired door size (for 30" door = cut 6" off 36" device) ensuring a square cut.

CVR EXIT INSTALLATION INSTRUCTION

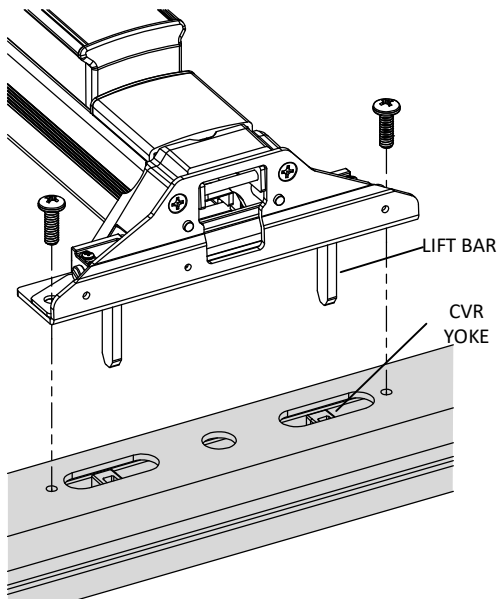
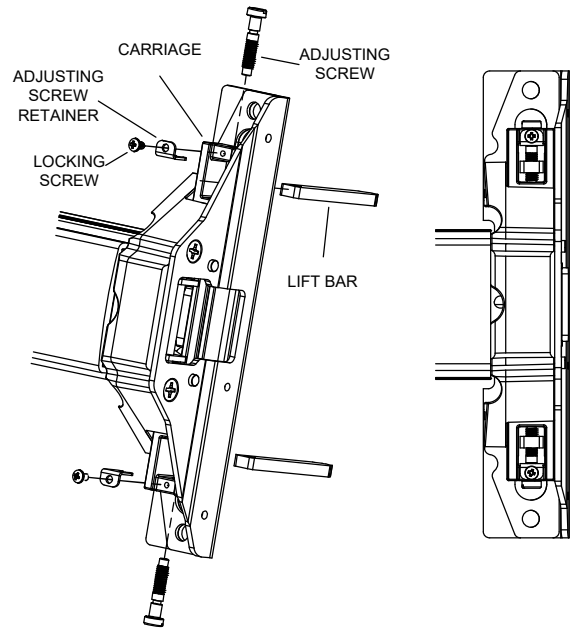
6300/6400C & CF DEVICES



Phone: 833-2-PDQTEC | www.pdqlocks.com

6. INSTALL CVR LIFT BARS

- Adjusting screw and retainer factory installed without lift bars.
- Remove adjusting screw retainers and adjusting screws.
- Insert lift bar into carriage from back side of device.
- Thread adjusting screw into lift bar through carriage until the lift bar is centered on threads.
- Insert adjusting screw retainer into the notched area of the adjusting screw.
- Install/tighten #4-40 locking screw.

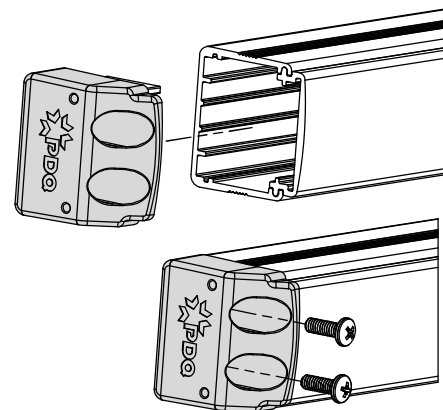


7. INSTALL DEVICE

- Install device and trim with 1/4-20 screws from pack #639043.
- Verify lift bars engage into CVR yokes for both top and bottom latches.

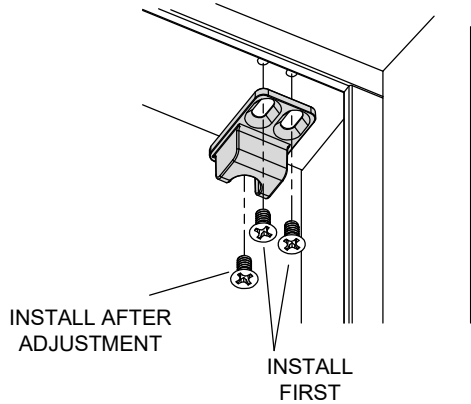
8. INSTALL END CAP

- Slide end cap into rail. Ensure rail is square to door. Mark centers of slots.
- Remove end cap, drill holes according to correct device/trim template.
- Reinstall end cap and fasten with screws.



CVR EXIT INSTALLATION INSTRUCTION

6300/6400C & CF DEVICES

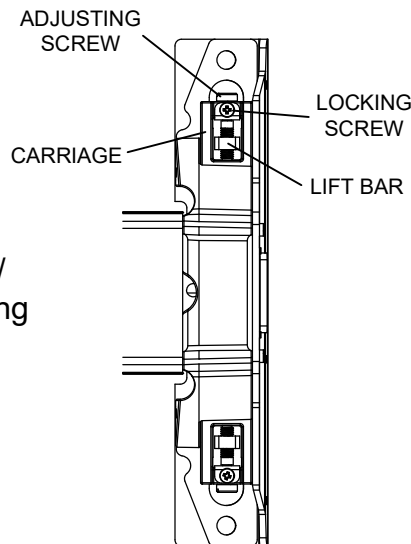
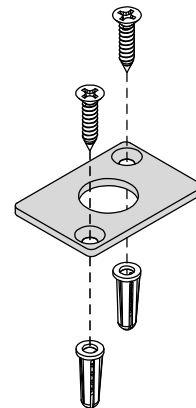


9. INSTALL TOP STRIKE

- Install strike using two #10-24 flat head screws from pack #639054.
- With door installed, adjust strike to desired door free play. Recommended is minimum of 1/16".
- Install third flat head locking screw by drilling and tapping for #10-24 after final adjustment is achieved.

10. INSTALL BOTTOM STRIKE

- Close door and mark center of bottom bolt on floor.
- Center strike and mark location of screw holes.
- Drill strike hole and anchor holes according to template.
- Install plastic anchors into floor.
- Install strike using two flat head screws.



11. FINE ADJUST RODS

TOP ROD ADJUSTMENT: Open door by depressing pushbar & releasing. If carriage drops more than 1/8", top lift bar must be adjusted downward (Counterclockwise). If door is difficult or unable to be opened, top lift bar must be adjusted upwards (Clockwise).

BOTTOM ROD ADJUSTMENT: Check bottom rod adjustment by opening door. With door opened and pushbar released, lower bolt should be 1/16" above strike.

To Adjust:

On device chassis/head, loosen locking screw & rotate adjusting screw

12. INSTALL HEAD COVER

- Slide head cover onto exit device
- Install 4 mounting screws

