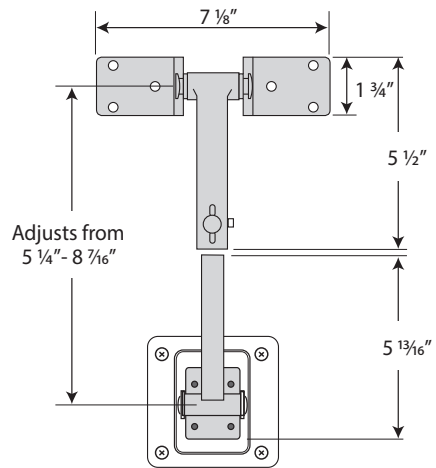
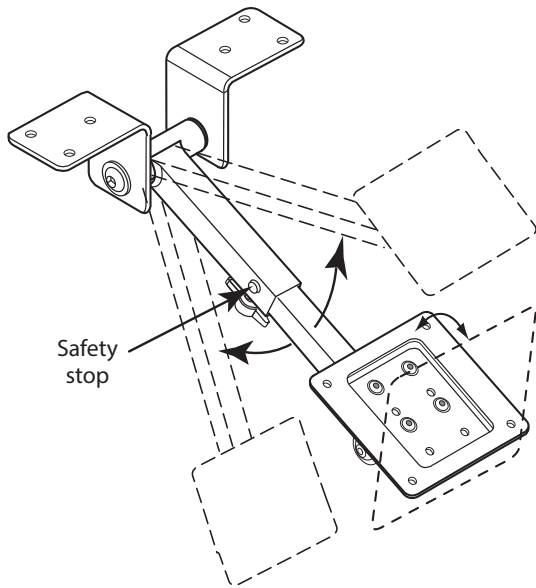


# Downview™ Retrofit Kits

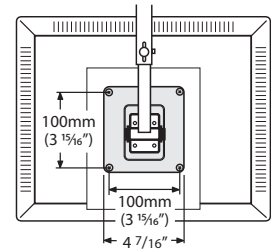
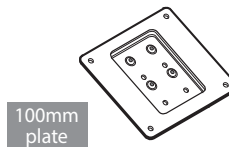
## Specifications

Adjustable Flat Panel Arm (FPA) - Max weight 21lb



### PLATE SIZES

The arm ships with a 100mm VESA plate only.

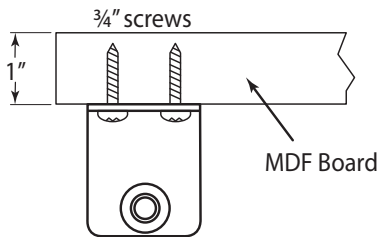


100mm plate

75mm plate

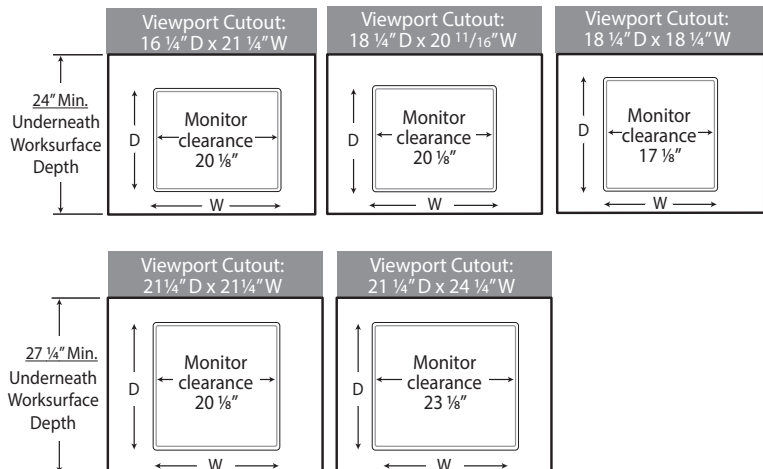
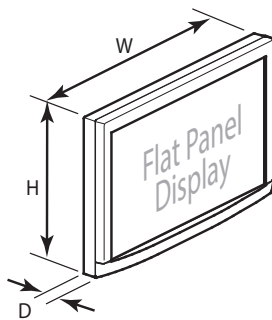
The 75mm VESA plate is available as a separate line item. (See page 61)

Worksurface Thickness: 1" - 2" thick



### Worksurface Specification Diagrams

Use these images as a guide to help determine the appropriate worksurface cutout for your monitor dimensions.



Dimensions are for underneath side of worksurface. Product specifications are subject to change without notice. Dimensions are nominal.

# Downview™ Retrofit Kits

## Components & Dimensions

Maximum weight for flat panel display: 21lb

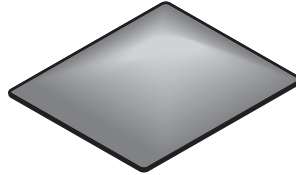
Maximum monitor dimensions:

18x18 viewport: 17 1/8" W x 14 1/2" H (435mm x 368mm)  
 21x21 viewport: 20 1/8" W x 19" H (511mm x 482mm)  
 16x21 widescreen viewport: 20 1/8" W x 12 1/2" H (511mm x 318mm)  
 18x21 widescreen viewport: 20 1/8" W x 14 1/2" H (511mm x 368mm)  
 21x24 widescreen viewport: 23 1/8" W x 19" H (587mm x 482mm)

### GLASS

Tinted (T41 rating) and tempered with screen printed border and graphics.

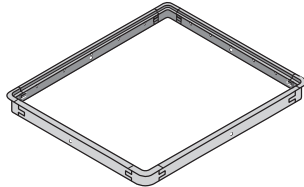
Glass for FPA-0-1818: 18" D x 18" W x 1/4" H  
 Glass for FPA-0-2121: 21" D x 21" W x 1/4" H  
 Glass for FPA-0-1621: 16" D x 21" W x 1/4" H  
 Glass for FPA-0-1821: 18" D x 21" W x 1/4" H  
 Glass for FPA-0-2124: 21" D x 24" W x 1/4" H



### TRIM RING

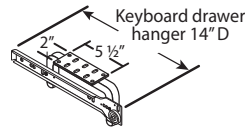
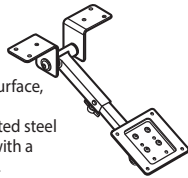
Manufactured using injection molded plastic, allowing support of viewport.

Trim ring for FPA-0-1818: 18" D x 18" W x 1 1/4" H  
 Trim ring for FPA-0-2121: 21" D x 21" W x 1 1/4" H  
 Trim ring for FPA-0-1621: 16" D x 21" W x 1 1/4" H  
 Trim ring for FPA-0-1821: 18" D x 21" W x 1 1/4" H  
 Trim ring for FPA-0-2124: 21" D x 24" W x 1 1/4" H



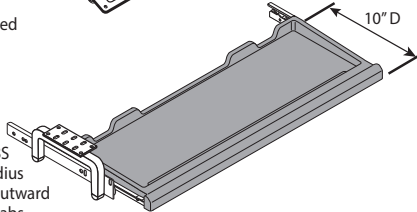
### FLAT PANEL ARM

Mounts underneath worksurface, supporting the flat panel display on a tension-mounted steel arm. The display attaches with a VESA compliant steel plate. Can be adjusted to fit fully-recessed or semi-recessed positions. 100mm VESA Plate included.



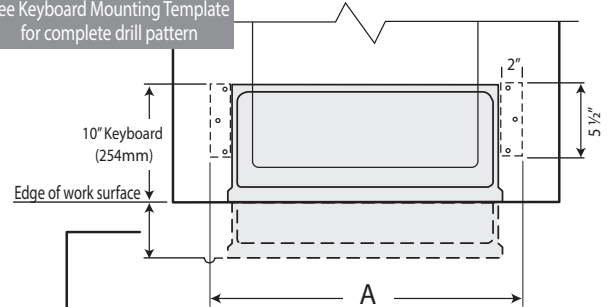
### KEYBOARD DRAWER

Textured black thermoformed ABS keyboard drawer features soft radius edges. Five positive inward and outward stop locations. Outward locking tabs prevent accidental removal of keyboard drawer.

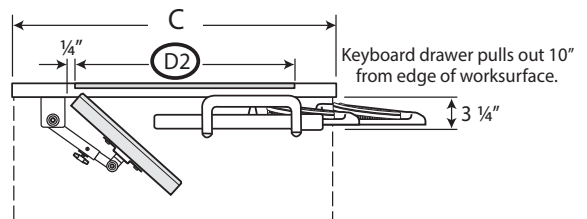
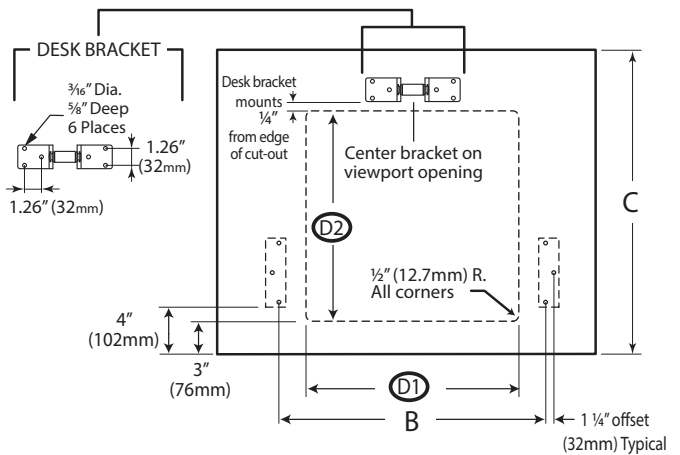


Keyboard size	Dimension A Min. Kneespace Width	Dimension B Keyboard drill pattern
24"	25 7/8" (657mm)	22 19/32" (574mm)
28"	29 1/2" (747mm)	26 3/16" (664mm)
30"	31 1/2" (798mm)	28 3/16" (715mm)
34"	35 1/2" (899mm)	32 1/8" (816mm)

See Keyboard Mounting Template for complete drill pattern



Keyboard drawer pulls out 10" (254mm) from edge of worksurface. 1st stop at 7 9/16" (192mm)



Kit Model No.	Dimension C Min. Worksurface Depth	Dimension D1 x Dimension D2 Viewport Cut-Out (W x D)
FPA-0-1818	24" (610mm)	18 1/4" (464mm) x 18 1/4" (464mm)
FPA-0-2121	27 1/4" (692mm)	21 1/4" (540mm) x 21 1/4" (540mm)
FPA-0-1621	24" (610mm)	21 1/4" (540mm) x 16 1/4" (413mm)
FPA-0-1821	24" (610mm)	20 11/16" (526mm) x 18 1/4" (464mm)
FPA-0-2124	27 1/4" (692mm)	24 1/4" (616mm) x 21 1/4" (540mm)

Dimensions are for underneath side of worksurface. Product specifications are subject to change without notice. Dimensions are nominal. To offset your viewport and keyboard drawer, please call Customer Support at 1-800-730-6682 for special installation instructions.