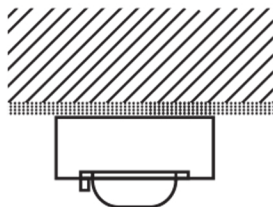
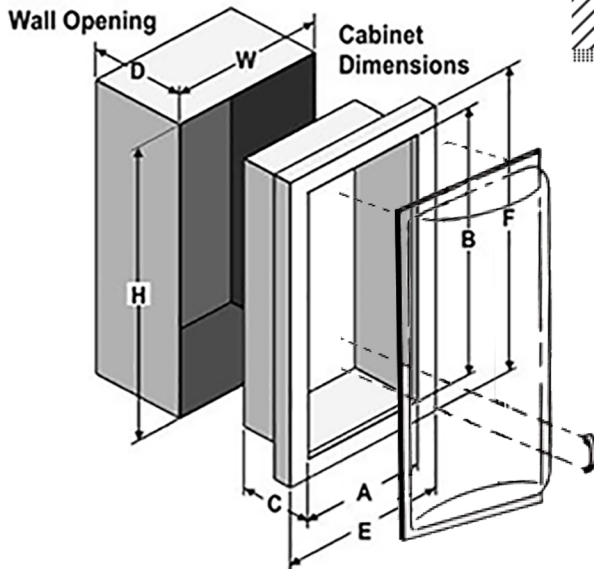


SURFACE MOUNTED SUBMITTAL : DIMENSIONS

TRIM & DOOR SERIES #		Tub I.D.			Frame O.D.		Wall Opening		
Model	Trim Style	A	B	C	E	F	W	H	D
XX2409-SM	Surface Mounted	27 1/2	13	3 1/2	27 1/2	13			



Surface Mounted

