

Product data sheet
Washbasin 950.11.241

HEWI



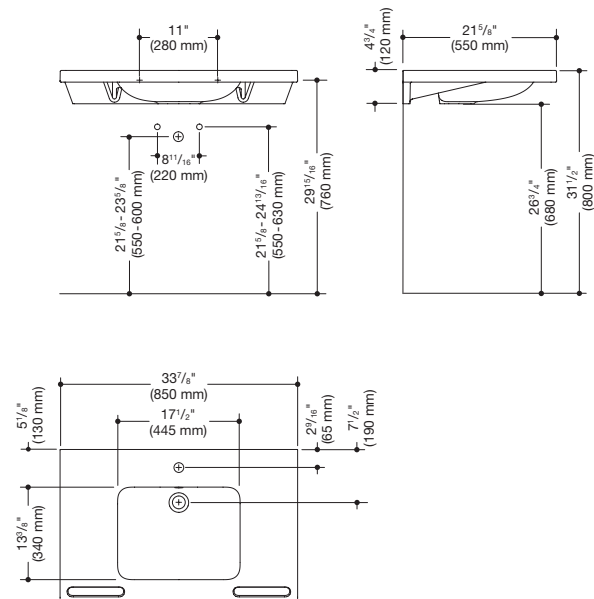
Washbasin 950.11.241

- made of mineral composite material with non-porous surface
- with shelf and deep rectangular basin with generous radii
- integrated handle to hold, can also be used as a towel holder
- includes overflow with rose and cover
- the overflow can be replaced and renewed if necessary
- overflow is mounted between drain and siphon under the washbasin, h=25 mm, ø=70 mm
- prepared for single hole mixer tap
- wheelchair accessible to DIN 18040 and ÖNORM B1600/1601
- loading capacity to EN 14688
- 850 mm wide, 550 mm deep
- wash trough depth 100 mm
- for hanger bolt fixing
- CE marking according to Construction Products Regulation No. 305/2011

Article no.: HEWI 950.11.241



Dimensions



Mineral composite



Alpine white

Technical information subject to alteration, November 11th, 2021

HEWI Inc.
350 Fifth Avenue, Suite 5220 Phone: (917) 734-4112
New York, NY 10118

hewi@hewi.us
www.hewi.com