



**Product data sheet**  
**Shower grab rail 900.35.161XA**

# HEWI

### Shower grab rail 900.35.161XA

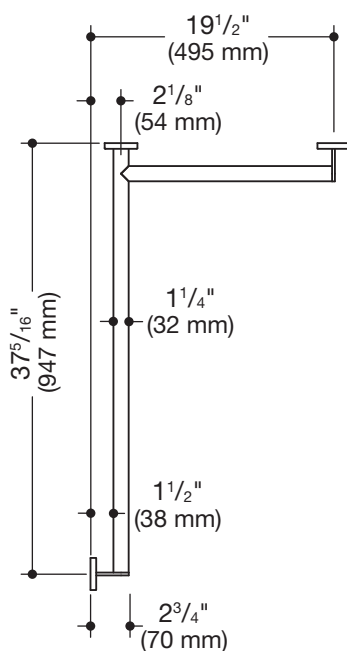
- horizontally arranged rails connected at right-angles, with mounting roses
- right-hand version
- horizontal lengths 37 5/16 inch x 19 1/2 inch (947 x 495 mm), 2 3/4 inch (70 mm) deep
- rail diameter 1 1/4 inch (32 mm), tube thickness 1/16 inch (2 mm), rose diameter 2 3/4 inch (70 mm)
- weight capacity up to 330 lbs (150 kg)
- made of high-quality stainless steel, satin
- reduced number of mounting roses due to innovative corner connection
- including non-corrosive and tested HEWI fixing material for wall mounting and sealing tape for sealing the drilling points
- fulfils the requirements of the 2010 ADA Standards and ICC/ANSI A117.1-2017



Similar picture



### Dimensions in mm



#### Surface



#### Alternative surfaces



The colour AY will be discontinued 31.03.2023

Technical information subject to alteration, 30th March 2022

HEWI Heinrich Wilke GmbH  
Postfach 1260  
D-34442 Bad Arolsen

Telefon: +49 5691 82-366  
Telefax: +49 5691 82-99366  
international@hewi.com  
www.hewi.com

HEWI (UK) Limited  
Holm Oak Barn, Beluncle Halt  
Stoke Road  
Hoo Kent ME3 9NT

Phone +44 1634 258 200  
Fax +44 1634 250 099  
info@hewi.co.uk  
www.hewi.com