

Product data sheet

Rail with sideways adjustable vertical support bar and shower head holder (ADA) 801.35US310

HEWI



Similar picture

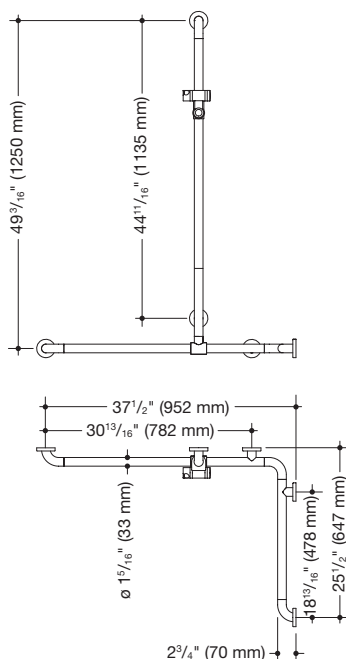
Rail with sideways adjustable vertical support bar and shower head holder (ADA) 801.35US310

- positioned horizontally and vertically, rails connected at a right angle with steel fixing roses and shower head holder
- with sideways (for mounting) adjustable vertical rail with shower head holder
- with corrosion-protected steel core throughout
- vertical length 49 3/16 inch (1250 mm), horizontal lengths (corner mounting) 37 1/2 inch (952 mm) and 25 1/2 inch (647 mm)
- 2 3/4 inch (70 mm) deep, rail diameter 1 5/16 inch (33 mm), rose diameter 2 3/4 inch (70 mm)
- suitable for handheld shower heads from various manufacturers
- shower head holder can be tilted continuously and its height can be adjusted by pulling or pushing a broad lever
- cone-shaped insert on the shower head holder makes it easier to mount the handheld shower head
- wall mounting with wall-specific fixing material and roses from HEWI
- can be mounted on the right and left side
- maximum loading capacity 330 lbs (150 kg)
- suitable for removable hanging seats 801.51US100 and 801.51US110
- made from high-grade synthetic material in the HEWI colors 99 (pure white), 95 (stone gray), 92 (anthracite gray), 90 (jet black), 86 (sand), 84 (umber) and 33 (ruby red)
- meets the requirements of 2010 ADA standards and ICC/ANSI A117.1-2017

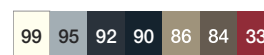


ADA compliant

Dimensions in mm

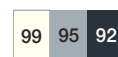


Colours



Polyamide

Alternative colours



Polyamide, mat

Technical information subject to alteration, 1st October 2021

HEWI Heinrich Wilke GmbH
Postfach 1260
D-34442 Bad Arolsen

Telefon: +49 5691 82-366
Telefax: +49 5691 82-99366
international@hewi.com
www.hewi.com

HEWI (UK) Limited
Holm Oak Barn, Beluncle Halt
Stoke Road
Hoo Kent ME3 9NT

Phone +44 1634 258 200
Fax +44 1634 250 099
info@hewi.co.uk
www.hewi.com