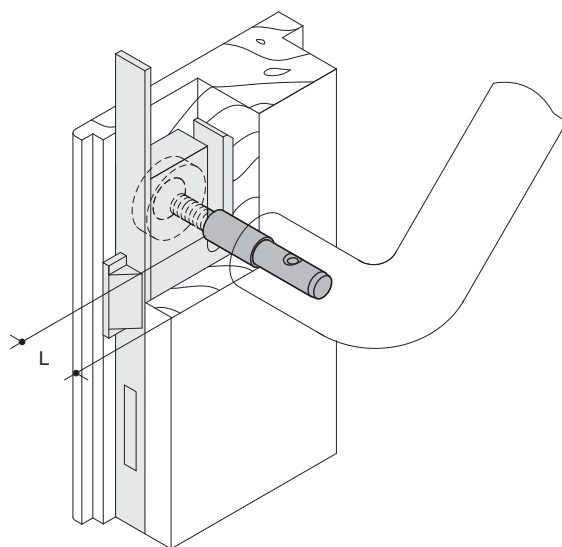


**Product data sheet**  
**Fixing Type BA4.... BA4.70.80**

# HEWI



**Fixing Type BA4.... BA4.70.80**

for back-sided handle fixing with blank rose on solid wood, PVC and 2-3 chamber aluminium profiles.  
Drillhole in the door 12 mm diameter, dimension L = insertion depth, Diameter of the cap 33 mm. Dimension L 6 mm, door thickness 70 - 80 mm.

Colours



Polyamide

Alternative colours



Polyamide, mat

Technical information subject to alteration, 17th August 2019

HEWI Heinrich Wilke GmbH  
Postfach 1260  
D-34442 Bad Arolsen

Telefon: +49 5691 82-366  
Telefax: +49 5691 82-99366  
international@hewi.com  
www.hewi.com

HEWI (UK) Limited  
Holm Oak Barn, Beluncle Halt  
Stoke Road  
Hoo Kent ME3 9NT

Phone +44 1634 258 200  
Fax +44 1634 250 099  
info@hewi.co.uk  
www.hewi.com