

Product data sheet
Hygiene waste bin 950.05.200

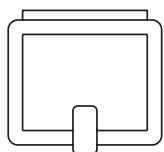
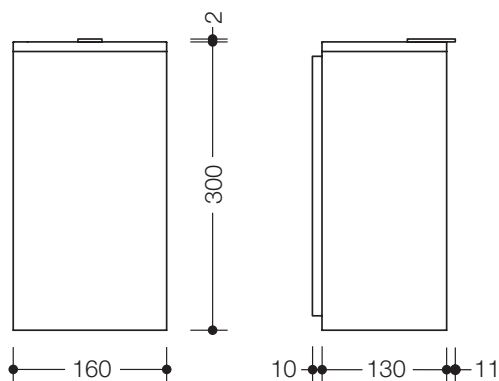
HEWI



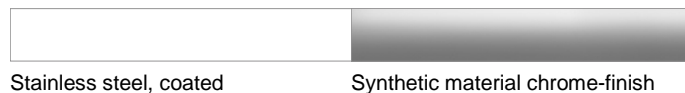
Hygiene waste bin 950.05.200

- cubic body with recessed wall base
- used as container for hygiene waste
- capacity approx. 6 l
- concealed, integrated bag holder
- lid with lifting flap
- 160 mm wide, 300 mm high and 140 mm deep
- for wall mounting
- bin and lid made of high-quality stainless steel, coated white
- slot opening made of high-quality synthetic material, chrome-plated
- including non-corrosive HEWI fixing material

Dimensions in mm



Surfaces



Technical information subject to alteration, 4th February 2022

HEWI Heinrich Wilke GmbH
Postfach 1260
D-34442 Bad Arolsen

Telefon: +49 5691 82-366
Telefax: +49 5691 82-99366
international@hewi.com
www.hewi.com

HEWI (UK) Limited
Holm Oak Barn, Beluncle Halt
Stoke Road
Hoo Kent ME3 9NT

Phone +44 1634 258 200
Fax +44 1634 250 099
info@hewi.co.uk
www.hewi.com