

Product data sheet  
Towel rail 477.09.200

# HEWI

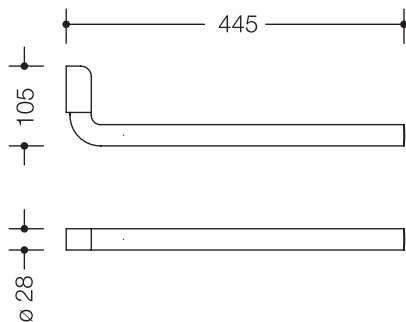


### Towel rail 477.09.200

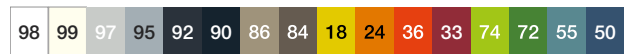
- towel rail with one cylindrical arm
- for hanging up towels and other pieces of clothing
- the arm can be swung to the side
- 445 mm long and 105 mm high, arm diameter 28 mm
- made of high-quality polyamide according to HEWI colour chart



### Dimensions in mm



### Colours



Polyamide

### Alternative colours



Polyamide, mat

Technical information subject to alteration, 10th September 2021

HEWI Heinrich Wilke GmbH  
Postfach 1260  
D-34442 Bad Arolsen

Telefon: +49 5691 82-366  
Telefax: +49 5691 82-99366  
international@hewi.com  
www.hewi.com

HEWI (UK) Limited  
Holm Oak Barn, Beluncle Halt  
Stoke Road  
Hoo Kent ME3 9NT

Phone +44 1634 258 200  
Fax +44 1634 250 099  
info@hewi.co.uk  
www.hewi.com