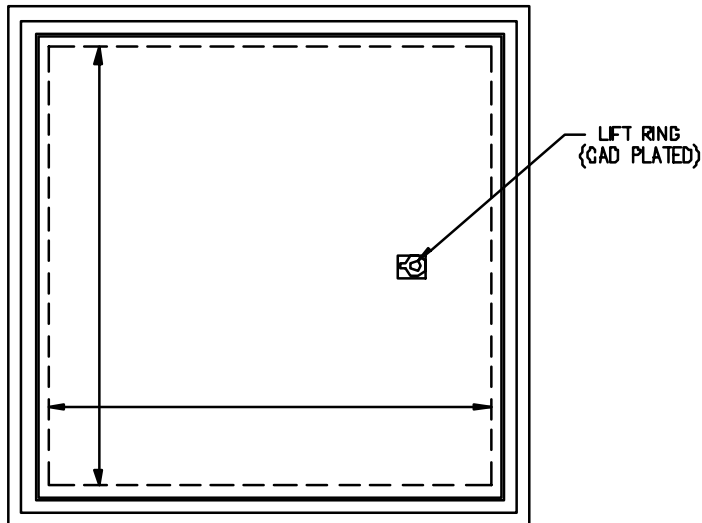
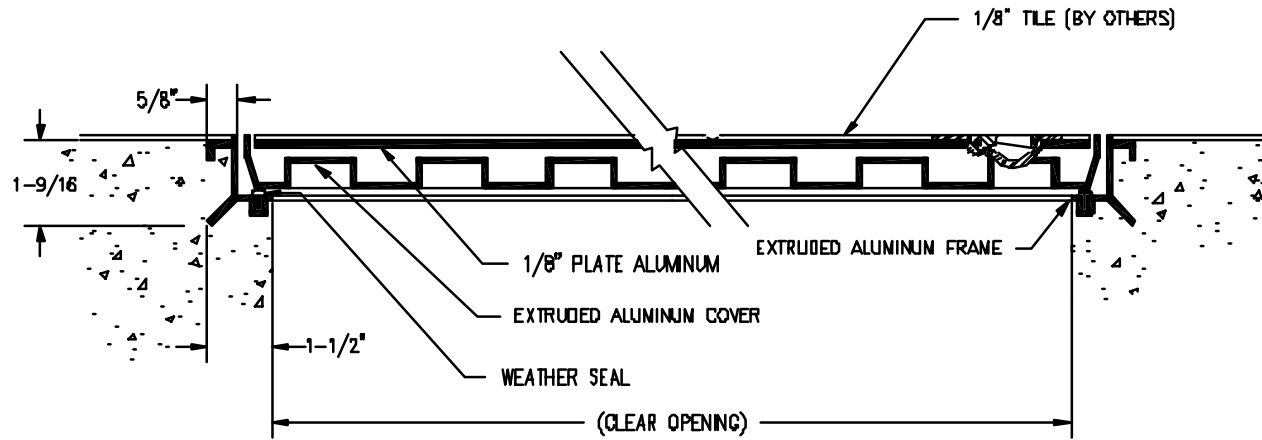


EXTRUDED ALUM. CONSTRUCTION FLOOR DOOR

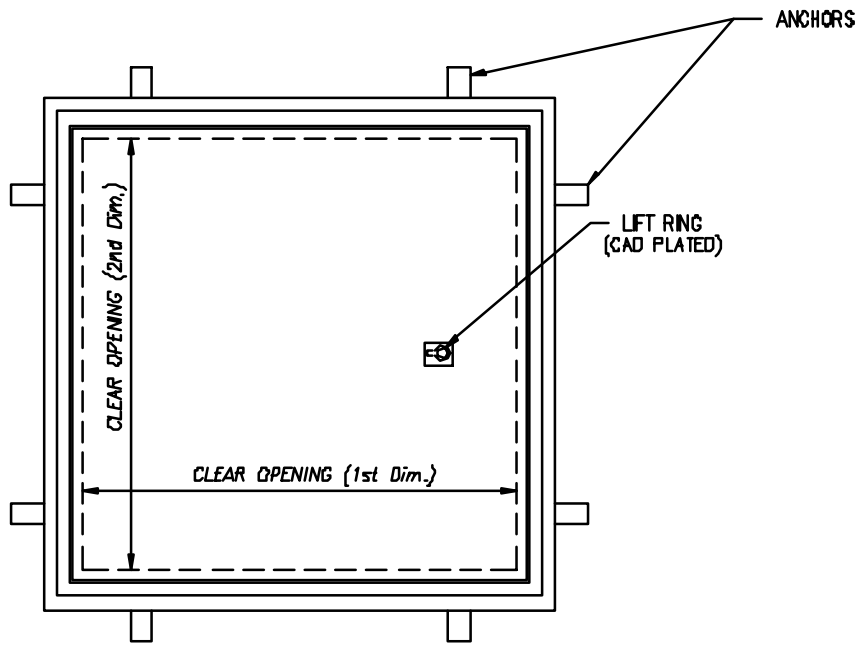
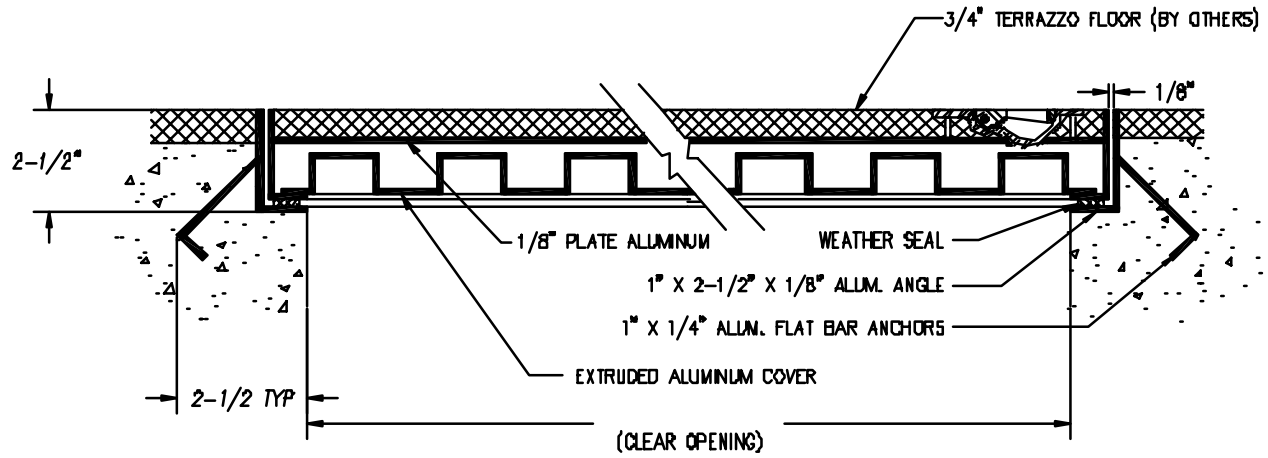
| MATERIAL SCHEDULE | | | |
|-------------------|------|-------|-------|
| QUANTITY | SIZE | COVER | FRAME |
| | | | |

MILCOR COMMERCIAL PRODUCTS GROUP
 484 Thomas Drive
 Bensenville, IL 60106
 800 624-8842 Fax: 630 788-0209

| | |
|----------|---------|
| DEALER | |
| PROJECT | |
| LOCATION | |
| ARCH. | |
| CONT'D | |
| DATE | DRAWN |
| REV | JOB NO. |
| F-62-68 | SHEET |



| EXTRUDED ALUM. CONSTRUCTION FLOOR DOOR | | | |
|---|------|---------|-------|
| MATERIAL SCHEDULE | | | |
| QUANTITY | SIZE | COVER | FRAME |
| | | | |
| COMMERCIAL PRODUCTS GROUP MILCOR 494 Thomas Drive Bensenville, IL 60106 800 824-8847 Fax: 630 768-6268 | | | |
| DEALER | | | |
| PROJECT | | | |
| LOCATION | | | |
| ARCH. | | | |
| CDNTD | | | |
| DATE | | DRAWN | |
| REV | | JOB NO. | |
| T-62-64 | | SHEET | |



| EXTRUDED ALUM. CONSTRUCTION FLOOR DOOR | | | |
|--|------|---------|-------|
| MATERIAL SCHEDULE | | | |
| QUANTITY | SIZE | COVER | FRAME |
| | | | |
| COMMERCIAL PRODUCTS GROUP MILCOR 404 Thomas Drive Bensenville, IL 60106 800 824-8842 FAX 630 788-5839 | | | |
| DEALER | | | |
| PROJECT | | | |
| LOCATION | | | |
| ARCH. | | | |
| CON'D | | | |
| DATE | | DRAWN | |
| REV | | JOB NO. | |
| 7-62-68 | | SHEET | |