

SAND DOLLAR INSTALLATION

(3.00"/80mm)

Components & Hardware



Tools Needed



For use with: This product fits tables .25" – 2.00" thick.
Fits standard 3.00" (80.00mm) grommet hole.

Installation Instructions:

- 1-** Determine the Sand Dollar (A) mounting location and prepare the surface by cutting the mounting hole.
- 2-** Remove Mounting Ring and Fiber Washer from Sand Dollar by unscrewing them as shown in FIG 1. Retain for later use.
- 3-** Insert the Sand Dollar through the cutout from above and position as desired. Align grooves in Sand Dollar with notch in mounting ring, as shown in FIG 2, and slide Mounting Ring upward until it comes in contact with underside of table. Rotate Mounting Ring clockwise, ensuring notch engages with uppermost thread, and tighten until Sand Dollar is secure in hole.
NOTE: If Mounting Ring disengages from threads before Sand Dollar is fully secure, remove and install Fiber Washer, as shown in FIG 1, and repeat step 3.
- 4-** Run the Sand Dollar power cord to a power outlet as needed.
- 5-** Optional – To ensure Mounting Ring doesn't loosen during use a screw may be inserted into Locking Hole to secure it to the underside of the work surface.

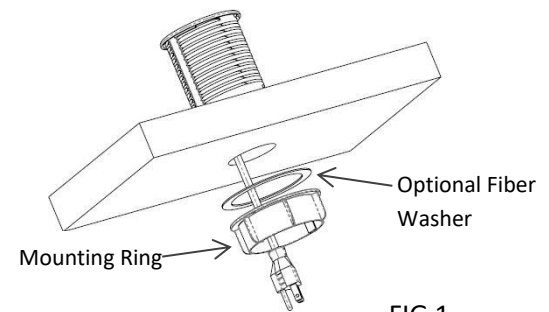


FIG 1

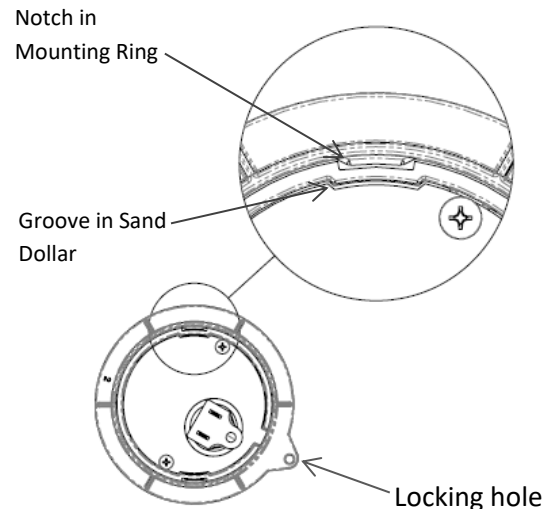


FIG 2

NOTE: A furniture Power Distribution Unit is not for permanent installation as part of the building structure and not for mounting in permanently-installed furnishing such as a fixed countertop.