

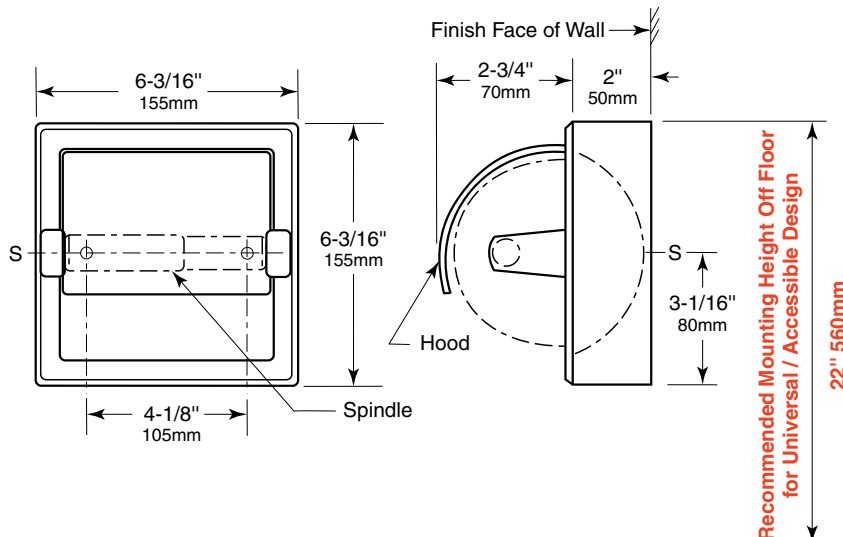


# Technical Data

# SURFACE-MOUNTED SINGLE-ROLL TOILET TISSUE DISPENSER WITH HOOD

# B-6699 B-66997

Specify Model Required:  Model B-6699 Bright polished stainless steel  
 Model B-66997 Satin-finish stainless steel



### MATERIALS:

**Shell and Flange** — 18-8, Type-304, 22-gauge (0.8mm) stainless steel. Drawn, one-piece, seamless construction with two countersunk mounting screw holes.

**Skirt** — 18-8, Type-304, 22-gauge (0.8mm) stainless steel. All-welded construction.

**Support Posts (2)** — Heavy-duty cast zamak with chrome-plated finish.

**Hood** — 18-8, Type-304, 18-gauge (1.2mm) stainless steel. Hood hinged to shell.

**Spindle** — Chrome-plated plastic equipped with heavy-duty internal spring.

*Designer's Note:* Theft-resistant toilet tissue spindle, which is removable only with special key provided, are available as an optional accessory - part no. 283-604.

### INSTALLATION:

Mount unit on wall or toilet partition with two sheet-metal screws, furnished by manufacturer, at points indicated by an S. For partitions with particle-board or other solid core, secure with sheet-metal screws furnished, or provide through-bolts, nut, and washers.

For hollow-core metal partitions, provide solid backing into which the furnished sheet-metal screws can be secured.

For plaster or dry wall construction, provide concealed backing to comply with local building codes, then secure unit with sheet-metal screws furnished.

For other wall surfaces, provide fiber plugs or expansion shields for use with sheet-metal screws furnished, or provide 1/8" (3mm) toggle bolts or expansion bolts.

### SPECIFICATION:

Surface-mounted toilet tissue dispenser shall be Type-304 stainless steel with \_\_\_\_\_ (insert one: bright polished or satin) finish. Skirt shall be 22 gauge (0.8mm) with all-welded construction. Shell and flange shall be 22 gauge (0.8mm) and have drawn, one-piece, seamless construction. Unit shall be equipped with 18-gauge (1.2mm) hood hinged to shell. \*Spindle shall be chrome-plated plastic with a heavy-duty internal spring.

*\*Theft-resistant spindle (part No. 283-604) available as a replacement part.*

**Surface-Mounted Toilet Tissue Dispenser With Hood shall be Model \_\_\_\_\_ (insert model number) of Bobrick Washroom Equipment, Inc., Clifton Park, New York; Jackson, Tennessee; Los Angeles, California; Bobrick Washroom Equipment Company, Scarborough, Ontario; Bobrick Washroom Equipment Pty. Ltd., Australia; and Bobrick Washroom Equipment Limited, United Kingdom.**