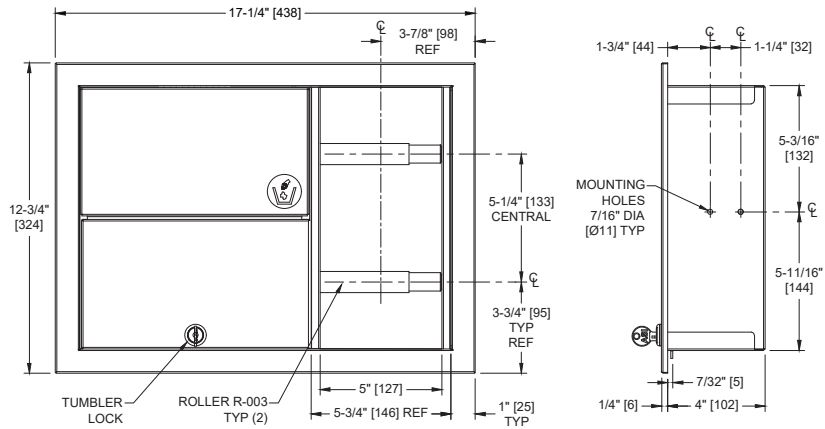
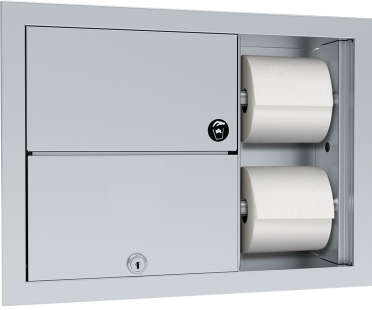


Toilet Tissue Dispenser / Napkin Disposal – Recessed

Toilet Tissue Dispensers

MasterFormat Section 10 28 13

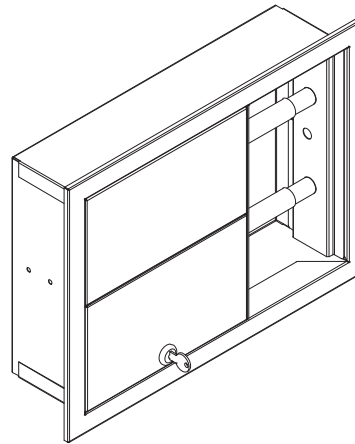


Scan for Information



SUSTAINABILITY/LEED

MR 4.1 (1) MR 6 (1) EQ 4.2 (1)
MR 4.2 (1) EQ 4.1 (1) EQ 4.4 (1)



NOTE:
ALL DIM'S INCH [MM]
ILLUSTRATION FOR REF ONLY AND NTS

PRODUCT OVERVIEW

Holds two (2) rolls standard or 1800 sheet 4-1/2" [114] x 5-1/4" diameter [Ø133] toilet paper. Removable waste container has a capacity of 0.75 gal (2.8 liters) and is held closed with tumbler lock. Unit shall include two (2) chrome plated toilet tissue rollers [p/n R-003].

KEY FEATURES & SPECIFICATIONS

- Toilet Tissue Dispenser / Napkin Disposal
- Type 304 Stainless Steel - Satin Finish
- Recessed
- Cabinet & face frame shall be 22 gauge stainless steel

OPERATION & MAINTENANCE

Push self-closing disposal door to deposit waste material. Toilet paper rolls feed freely until depleted and level of supply is constantly visible for low-level warning. Waste receptacle is emptied manually on cycle determined by maintenance needs. Locked waste receptacle prevents inadvertent dumping and unauthorized removal.

TECHNICAL INFORMATION / PRODUCT PROPERTIES

Property	Value
Dimensions	17-1/4" [438] W x 12-3/4" [324] H x 4-1/4" [108] D
Construction	Type 304 Stainless Steel - Satin Finish
Mounting	Recessed
Capacity	Holds two (2) rolls standard or 1800 sheet 4-1/2" [114] x 5-1/4" Dia. [Ø133] toilet paper. Waste container has a 0.75 gal (2.8 liter) capacity.

INSTALLATION

Mount unit in wall recess using four (4) #10 self-threading screws (by others) through concealed mounting holes provided. Note that top of RWO (rough wall opening) is 13/16" [21] below top of unit. For 2010 ADA Accessibility Standards the centerline of the TP Dispenser should be located within 7" [178] to 9" [227] of the front of the toilet and the TP Dispenser opening bottom should be above 15" [381] minimum AFF. An optional GB (not provided) at 33"[838] to 36" [914] AFF to the top of the bar removal of waste receptacle.

Rough Wall Opening (RWO) required: 15-3/4" [400] W x 11-1/8" [283] H x 4" [102] D minimum

OPTIONS

N/A

WARRANTY

One (1) Year from date of Invoice