



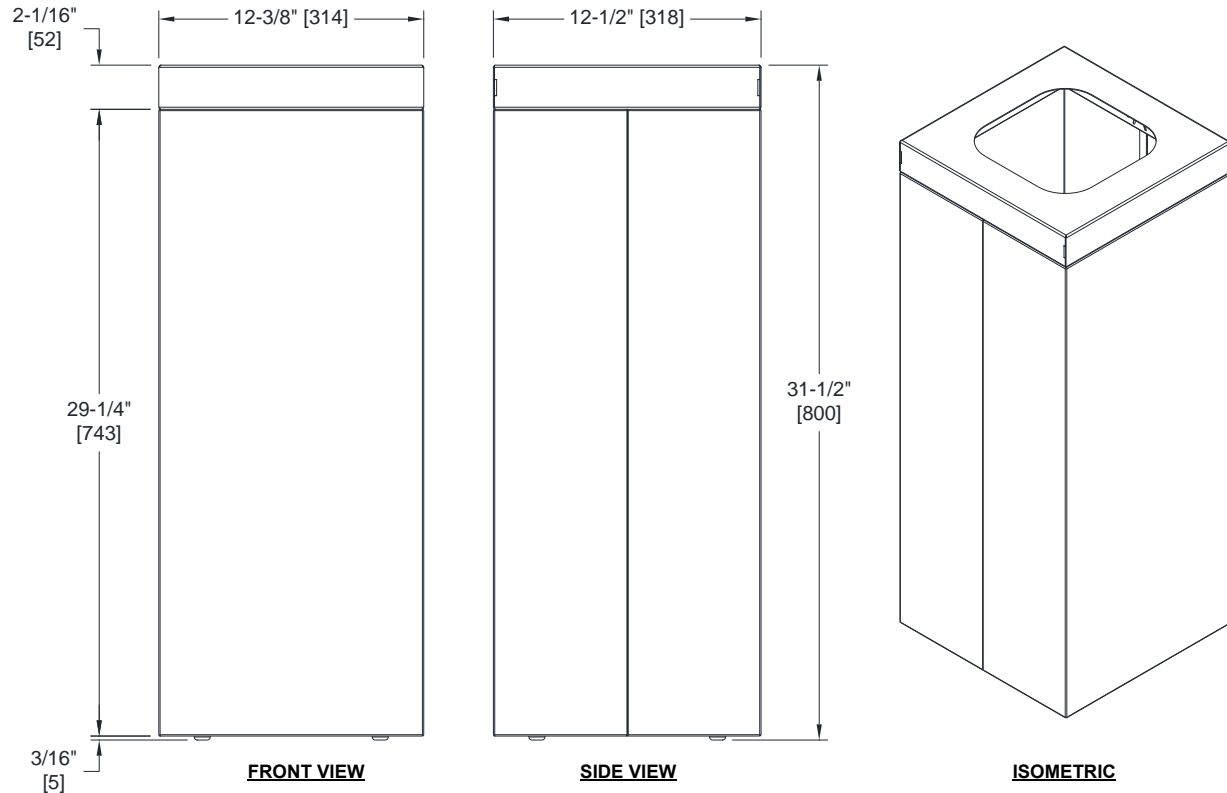
AMERICAN SPECIALTIES, INC.
441 Saw Mill River Road, Yonkers, NY 10701
(914) 476.9000 • (914) 476.0688
www.americanspecialties.com

MODEL №: 0839

ISSUED: 06 MAY 2020

REVISED: 24 SEP 2021

STAINLESS STEEL FREE STANDING WASTE RECEPTACLE



NOTE:

ALL DIM'S INCH [MM]
ILLUSTRATION FOR REF ONLY
AND NTS

SPECIFICATION

Stainless Steel Free Standing Waste Receptacle shall hold 19 gals [72 L] of waste material. Unit shall be 22 gauge type 304 stainless steel alloy 18-8 with satin finish and be protected during shipment with PVC film easily removable after installation. Receptacle shall have no exposed fastening devices or spot welded seams. Top shall be removable for easy maintenance. Bottom of receptacle shall be equipped with four (4) non-removable rubber supports.

Stainless Steel Free Standing Waste Receptacle shall be Model № 0839 as manufactured by American Specialties, Inc., 441 Saw Mill River Road, Yonkers, NY 10701-4913

INSTALLATION

Waste receptacle is free standing and should be placed in appropriate position on finished floor.

OPERATION

Waste material is deposited into the receptacle through top opening. Use of a disposable trash liner bag recommended. The disposal bag is emptied of waste material on a cycle determined by maintenance needs by removing top assembly.