



AMERICAN SPECIALTIES, INC.

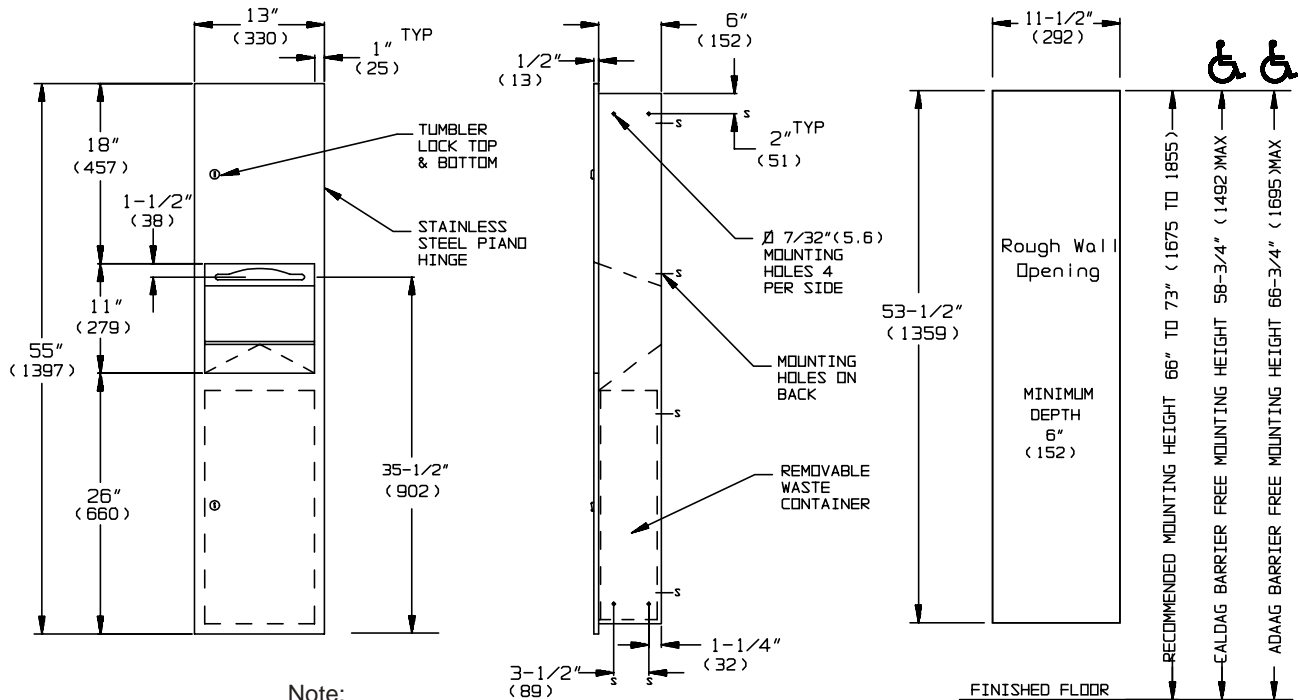
441 Saw Mill River Road, Yonkers, NY 10701 (914) 476-9000
www.americanspecialties.com

MODEL No: 64676

ISSUED: 1-87

REVISED: 5-07

RECESSED PAPER TOWEL DISPENSER AND WASTE RECEPTACLE



Note:
Dimensions are
in inches and
(millimeters)

SPECIFICATION

Recessed Paper Towel Dispenser and Waste Receptacle shall hold and dispense 800 standard multi-fold, 600 standard C-fold or 1100 standard single-fold paper towels, and shall have a waste capacity of 7 gallons (26.5 liters). An adjustable guide shall be provided to allow dispensing of single-fold, multi-fold or C-fold paper towels. Cabinet, door, dispenser and waste receptacle shall be fabricated from type 304 stainless steel alloy 18-8. All exposed surfaces shall have a N° 4 satin finish and shall be protected during shipment by PVC film easily removable after installation. Cabinet shall be 20 gauge with a 1" (25.4) wide perimeter trim to lay flush against wall and shall have no exposed fastening devices or visible seams. Full-face door shall be 18 gauge, fabricated from one piece with no miters or seams on face and shall have 1/2" (13) square returns to the wall. Door shall be attached to cabinet body with a full length 3/16" diameter (Ø4.8) stainless steel multi-staked piano hinge and shall be held closed with two (2) tumbler locks keyed alike to other ASI washroom equipment. Towel dispensing slot shall have a fully hemmed-in rolled edge for snag-free dispensing and user safety. Waste container shall have hemmed edges for safety. Structural assembly of all components shall be of welded construction. Waste receptacle door shall be attached to cabinet with a spring-loaded stainless steel piano hinge and shall have the international waste symbol on face.

Recessed Paper Towel Dispenser and Waste Receptacle shall be Model N° 64676 as manufactured by American Specialties, Inc., 441 Saw Mill River Road, Yonkers, New York, 10701-4913

INSTALLATION

Install unit in wall recess with N° 10 self-tapping screws (by others) through concealed mounting holes provided. For compliance with ADA Accessibility Guidelines, install unit so that centerline of towel dispenser slot is 48" (1219) maximum above finished floor (MAX AFF). Note that top of Rough Wall Opening (RWO) is 3/4" below top of unit.

RWO required is 11-1/2" W x 53-1/2" H x 6" D minimum (292 x 1359 x 152)

OPERATION

Paper towels are manually withdrawn through dispensing slot. A towel adapter ensures that towels feed properly until depleted. Unit will continue to feed properly when reloaded with a partial load in place. Refill dispenser by unlocking door and replacing towels for an empty or partially empty unit. Dispenser supply is replenished and waste container is emptied manually on cycles determined by maintenance needs. Locking full-face door over compartments prevents unauthorized access or removal.

Accessory Specialties

AMERICAN DISPENSER

Desert Ray Products

WATROUS INC.



AMERICAN SPECIALTIES, INC.

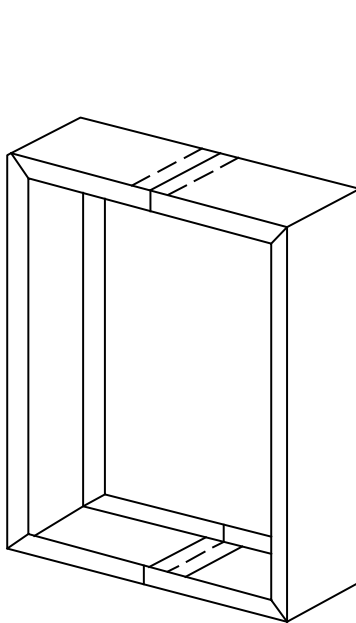
441 Saw Mill River Road, Yonkers, NY 10701 (914) 476-9000

SM-COLLAR

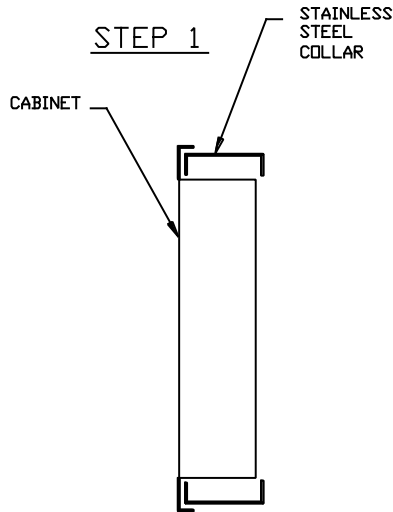
ISSUED: 1-87

REVISED: 3-99

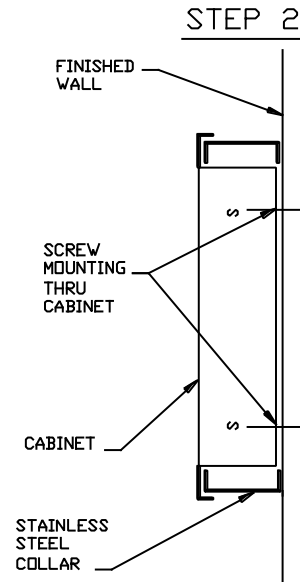
SURFACE MOUNTING COLLAR



ISOMETRIC OF COLLAR



COLLAR SLIDES OVER REAR OF CABINET BEHIND THE 1/4"(6mm) RETURN ON TRIM



CABINET AND COLLAR ASSEMBLY IS THEN MOUNTED TO WALL

MOUNTING SEQUENCE

SPECIFICATION

Adapter collar for Surface Mounted installations shall be fabricated of type 304, 18-8 alloy stainless steel, N^o22 gauge. All exposed surfaces shall have satin finish. Unit shall be protected for shipment with PVC film easily removed after installation. Unit shall be sized to fit snugly under the 1/4" (6mm) return of the mating cabinet. There shall be no seams on the vertical sides or the corners of the collar. After installation the collar shall be NON-REMOVABLE.

Surface Mounting Collar shall be (Cabinet Model N^o followed by suffix) "- 9" of American Specialties, Inc., 441 Saw Mill River Road, Yonkers, NY 10701-4913.

INSTALLATION

Collar slides over rear of cabinet and under the 1/4" (6mm) return of the mating cabinet. Assembly of collar and cabinet is then placed on mounting location. Standard mounting hardware supplied with cabinet is used as normal.

OPERATION

Surface mounting collars conveniently adapt standard recessed mounting cabinets for use on walls with insufficient depth for recessing or wall materials that would make cutouts impossible. Collar is fabricated to the specific width, height and depth size of the cabinet upon which it is being used.

Accessory Specialties

AMERICAN DISPENSER

Desert Ray Products

WATROUS INC.