



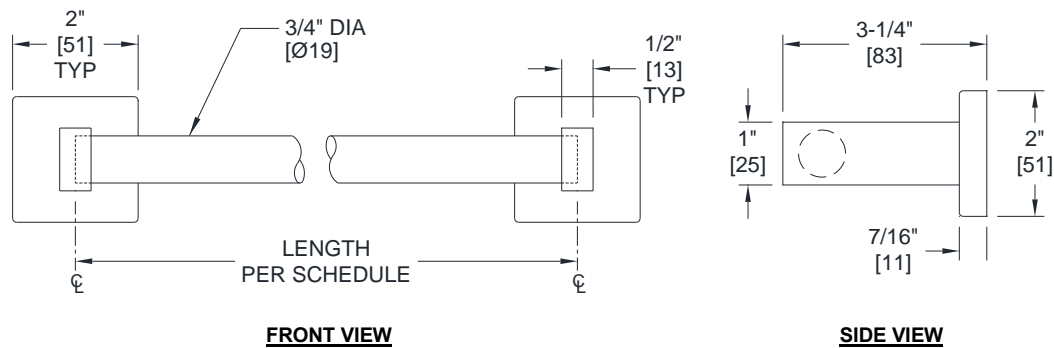
**AMERICAN SPECIALTIES, INC.**  
 441 Saw Mill River Road, Yonkers, NY 10701  
 (914) 476.9000 • (914) 476.0688  
 www.americanspecialties.com

**MODEL №: 7355**

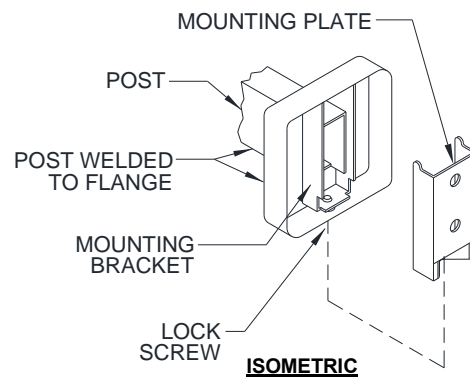
**ISSUED: JAN 1987**

**REVISED: 29 APR 2022**

**ROUND TOWEL BAR**



**NOTE**  
 ALL DIM'S INCH [MM]  
 ILLUSTRATION FOR REF ONLY AND NTS  
 FOR CLEANING INSTRUCTIONS SEE APPROPRIATE  
 SECTIONS IN PRODUCT CARE & MAINTENANCE  
 BULLETIN (PCM) ON ASI WEBSITE



**SPECIFICATION**

Round Towel Bar shall be fabricated of type 304 stainless steel alloy 18-8. Shelf posts shall be 1/2" [13] x 1" [25] rectangular tubing with formed mounting flange and bracket welded on end. Bar shall be 26 gage, 3/4" Dia [Ø19] and shall be held in receiver holes in support posts. Mounting plates shall be included and shall be 18 gage. Stainless steel setscrews shall be provided on bottom perimeter of flanges to lock unit to mounting plates. Length shall be as chosen from schedule and indicated by code suffix. Surface finish shall be satin finish, bright finish or Powder Coated (PC) Matte Black finish as chosen by option and indicated by code suffix.

**Round Towel Bar shall be Model № 7355-\_\_\_\_\_ (specify length and finish as per schedule below) of American Specialties, Inc., 441 Saw Mill River Road, Yonkers, NY 10701-4913**

**INSTALLATION**

Surface mount unit on wall using № 10 self-threading flat, oval or pan head screws (by others) through holes provided in mounting plates into suitable prepared mountings (by others) or other suitable mounting hardware (by others) to suit wall conditions. Hang post and flange assemblies on mounting plates with bar captured and tighten setscrews to lock unit to plates. For compliance with 2010 ADA Accessibility Standards, 2015 ABA Standards and ANSI 117.1 Standards install unit with top of towel rod 48" [1219] Maximum Above Finished Floor.

<b>LENGTH AND FINISH SCHEDULE</b>			
<b>LENGTH</b>	<b>MODEL №</b>		
	<b>Bright (Polished) Finish</b>	<b>Satin (Brushed) Finish</b>	<b>Matte Black (Powder Coated) Finish</b>
18" [457]	7355-18B	7355-18S	NA
24" [610]	7355-24B	7355-24S	7355-24-41
30" [762]	7355-30B	7355-30S	NA