



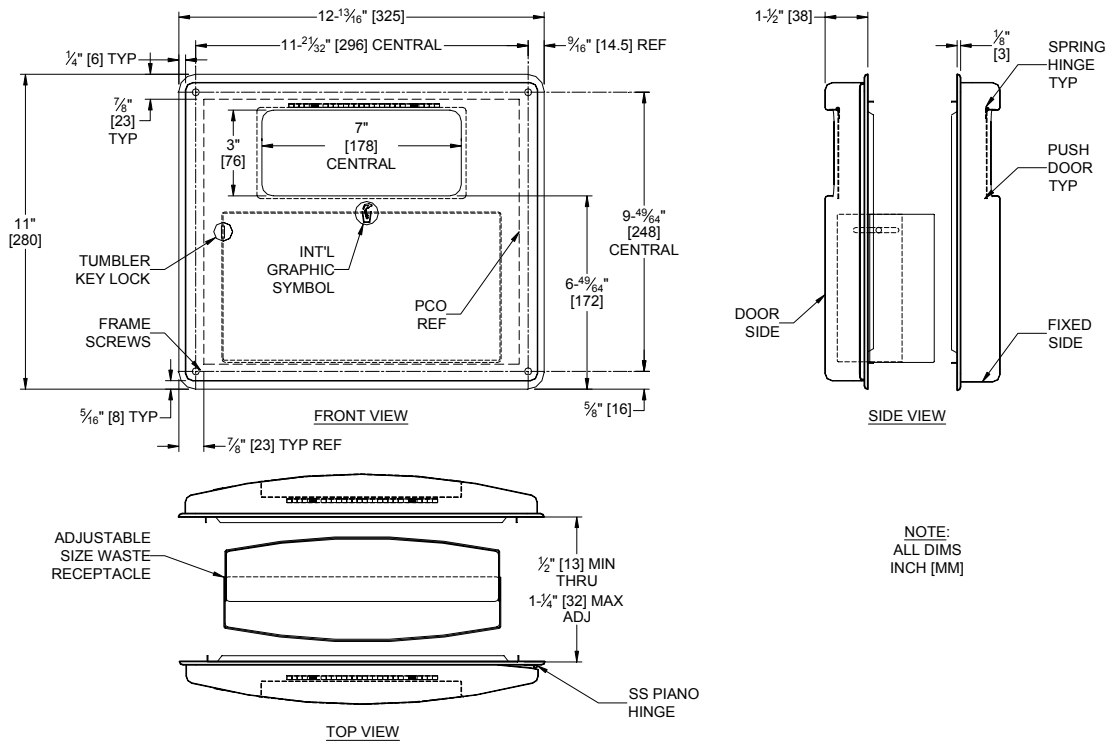
AMERICAN SPECIALTIES, INC.
 441 Saw Mill River Road, NY 10701
 (914) 476.9000 • (914) 476.0688
 www.americanspecialties.com

MODEL №: 20472

ISSUED: 09/09

REVISED:

ROVAL™ PARTITION MOUNTED DUAL ACCESS SANITARY NAPKIN DISPOSAL



SPECIFICATION

Roval™ Collection Partition Mounted Dual Access Sanitary Napkin Disposal shall accommodate partition thicknesses of 1/2" (13) through 1-1/4" (32) and shall have a waste capacity of 1/2 gal (1.8 liters) through 3/4 gal (3 liters) of dry/solids waste with expandable waste receptacle. Cabinet full door shall be drawn seamless and shall have bowed front face and gently radiused edges to provide added strength and complimentary appearance for modern washroom aesthetics. Full face door shall be 22 gauge type 304 stainless steel alloy 18-8 and shall be attached to the cabinet at side with a concealed full-length 9/64" diameter (Ø3.5) heavy-duty stainless steel multi-staked piano hinge and shall be held closed with a flush rimless tumbler lock keyed alike to other ASI washroom equipment and shall have the international graphic symbol for waste on face. Full face fixed door shall be 22 gauge type 304 stainless steel alloy 18-8 and shall be attached to the cabinet at both sides with concealed welded and riveted brackets and shall have the international graphic symbol for waste on face. Cabinet, trim and push-doors shall be 22 gauge stainless steel with no exposed fastening devices or spot-welded seams. Push doors shall be held closed and shall be hung on full width concealed 1/8" diameter (Ø3) stainless steel multi-staked spring piano hinges. Waste receptacle shall be stainless steel and shall be adjustable depth to conform to internal space depending on partition thickness and shall have fully hemmed edges all around for user and service safety. Face trim shall be 1-1/16" (27) wide formed from one piece with no miters, welding or open seams and have 1/8" (3) radiused return to wall. All exposed surfaces of unit shall have a satin finish and shall be protected during shipment by PVC film easily removable after installation.

Roval™ Collection Partition Mounted Dual Access Sanitary Napkin Disposal shall be Model № 20472 of American Specialties, Inc., 441 Saw Mill River Road, Yonkers, New York 10701-4913

INSTALLATION

Mount unit in partition cut out with M4-0.7x25 or M4-0.7x40 machine screws (supplied) through concealed mounting holes provided to suit partition thickness. For compliance with ADA Accessibility Guidelines install unit so that top of waste receptacle door is 48" (1219) maximum above finished floor (AFF) if clear floor reach access is provided. For general utility install unit with bottom edge 44-3/16" (1123) AFF. Note that top of partition cut out (PCO) is 7/8" (22.5) below top of frame.

PCO required is 11" W x 9-1/4" H x 1/2" to 1-1/4" Thk (280 x 235 x 13 to 32)

OPERATION

Users push door to deposit waste material into receptacle. Push-door is self-closing. Empty refuse manually on a cycle determined by maintenance needs by removing waste container and inverting over collection bag. Hemmed edges on waste container provide safety for service. Locked door prevents unauthorized access or removal.