



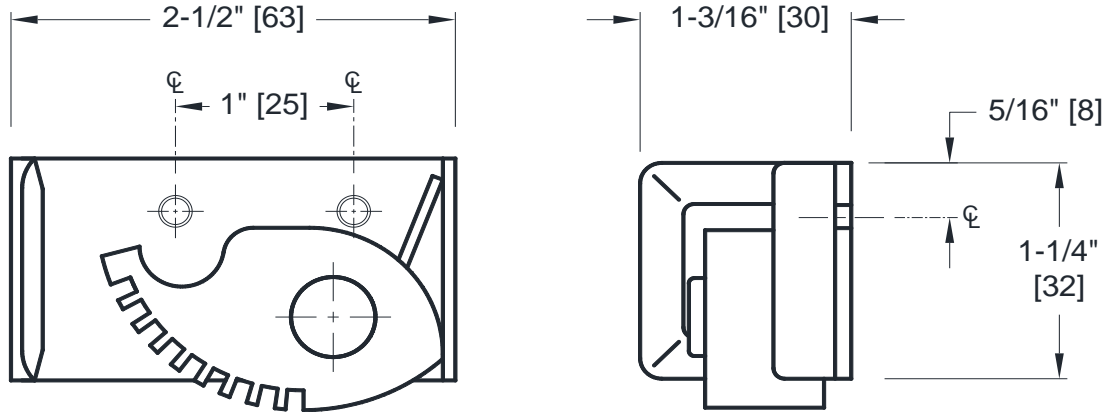
**AMERICAN SPECIALTIES, INC.**  
441 Saw Mill River Road, Yonkers, NY 10701  
(914) 476.9000 • (914) 476.0688  
www.americanspecialties.com

**MODEL №:** 0795

**ISSUED:** 01-87

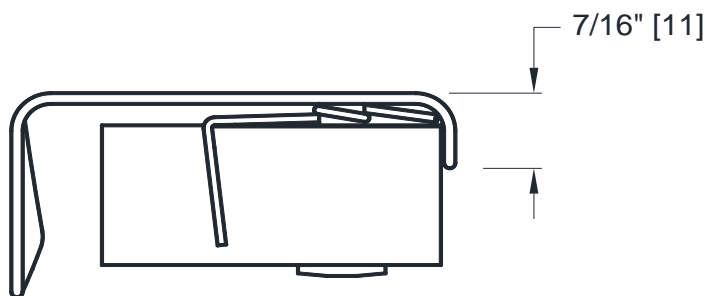
**REVISED:** 09 APR 2019

## MOP HOLDER



ELEVATION

SIDE VIEW



TOP VIEW

**NOTE:**

ALL DIM'S INCH [MM]

ILLUSTRATION FOR REF ONLY AND NTS

### SPECIFICATION

Mop Holder bracket shall be fabricated of cadmium plated steel and be ribbed for rigidity. Pivoting spring loaded serrated rubber cam shall hold round handles of 7/8" to 1-1/4" diameter [Ø22 to Ø32] wedged against ribbed clamp plate. Unit shall be surface mounted with hardware supplied.

**Mop Holder shall be Model № 0795 of American Specialties, Inc., 441 Saw Mill River Road, Yonkers, New York 10701-4913**

### INSTALLATION

For general utility mount mop holder 70" [1788] AFF (above finished floor) from bottom of mop holder. Secure mop holder to wall with two (2) № 10 pan head self-threading screws (supplied by others) through mounting holes in back plate. For compliance with 2010 ADA Accessibility Standards, install unit with top of mop holder at 48" [1219] MAX AFF if clear floor forward reach access is provided.

### OPERATION

Mop or broom handle is pushed into grip-jaw of pivoting serrated rubber cam with upward motion until it seats behind rib on clamp plate. Spring holds cam against handler. Gravity holds mop clamped in position.