

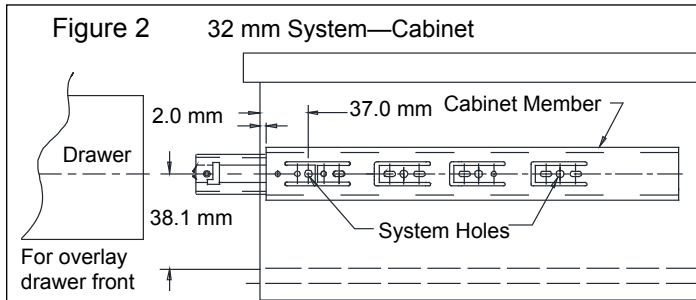
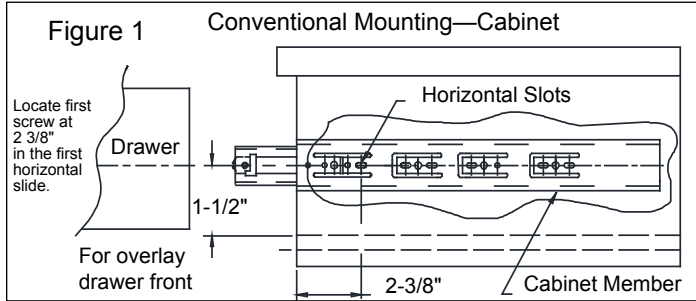
1. Drawer Box Preparation

Drawer box width should not exceed slide length.
 Slides will not function properly if side space is less than .50" [12.7 mm]. For optimum performance, construct drawer 1-1/16" [27.0 mm] smaller than cabinet opening.

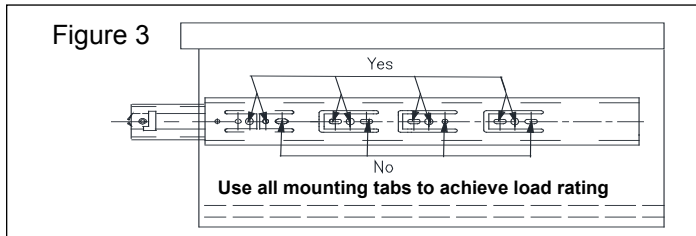
2. Cabinet Member Installation

- Overlay drawer front:**
- Conventional mounting, see Figure 1.
 - 32 mm system mounting, see Figure 2.

Inset drawer front: slide setback is the thickness of the drawer front plus 1/8" [3.2 mm].

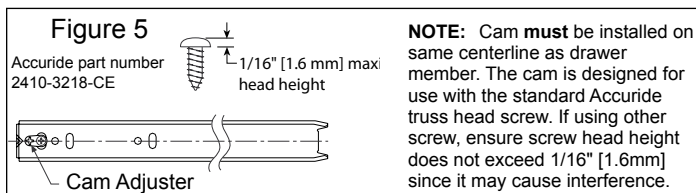
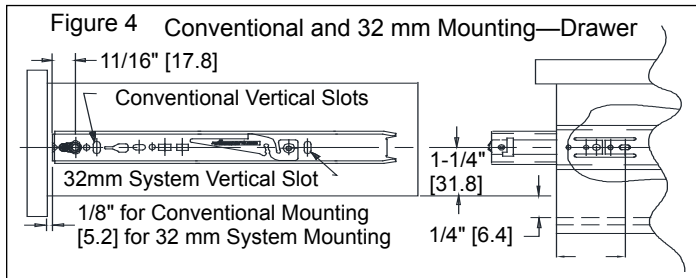


Use only the 32 mm system holes or the wood screw holes located at the tip of the breathing tabs. Do not use any other holes on the cabinet member for mounting (Figure 3).



3. Drawer Member Installation

See Figure 4 for drawer member setback.
 Install the drawer member with a screw through the cam adjuster and a screw through a hole or slot at the rear (Figure 5).



For the most current technical information visit www.accuride.com

4. Drawer Insertion and Adjustment

Make sure the ball bearing retainers in the cabinet member are fully forward. Insert the drawer member into the cabinet member. Push the drawer in until completely closed. Cycle the drawer two or three times.

To adjust the drawer front position, open the drawer and rotate the cam with a Phillips or Pozi screwdriver to adjust the vertical position of the drawer. Total vertical adjustment is 1/8" [3.2 mm]; +/- 1/16" [1.6 mm] from center up and down.

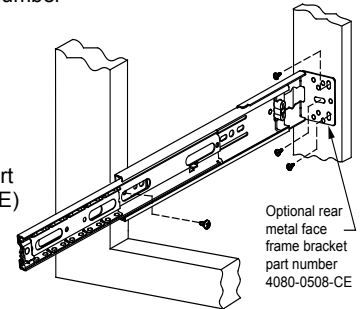
Install rear set screws to secure. Install drawer pulls or knobs.

Optional Rear Face Frame Brackets

Rear face frame brackets for face frame installations are ordered as a kit or in bulk. Brackets are available in clear zinc finish only. Mounting screws are not included.

To order kits, specify part number 4180-0752-XE.
 Each kit contains:
 2 rear brackets, and
 installation instructions.
 Order 1 kit per pair of slides.

To order in bulk, specify part number (P/N 4080-0508-CE) per pair of slides.



Slide Ordering Information

Complete your slide order for Accuride models 3832-EDO by specifying the following:

	50 Pair	C	3832	-E18	DO	D
Total Required Slides	_____	_____	_____	_____	_____	_____
Slide Finish	_____	_____	_____	_____	_____	_____
Slide Model	_____	_____	_____	_____	_____	_____
Slide Length	_____	_____	_____	_____	_____	_____
Detent Out Feature	_____	_____	_____	_____	_____	_____
Polybag Packaging	_____	_____	_____	_____	_____	_____

Packaging

Distributor (D) Pack: All lengths are packaged 10 pair per box. Polybag includes one pair of slides with mounting screws.

Bulk (P) Pack: All lengths are packaged 10 pair per box. Slides and screws are ordered and packaged separately.

Available in clear zinc (C), black (CB), and white (EW) finishes.

Specifications

Slide members and ball retainers: Cold rolled steel
 Ball bearings: Carburized steel/acetal polymer
 RoHS compliant.

NOTE: Specifications, materials, prices, terms, and delivery are subject to change without notice.



ACCURIDE INTERNATIONAL INC.

12311 Shoemaker Avenue
 Santa Fe Springs, CA 90670
 TEL (562) 903-0200
 FAX (562) 903-0208
www.accuride.com
 Manufacturing, Engineering, and Sales
 United States • Germany • Japan • Mexico • United Kingdom • China

Copyright © 2007 Accuride International Inc. 3700-9465(110)-MK078-R9-0817